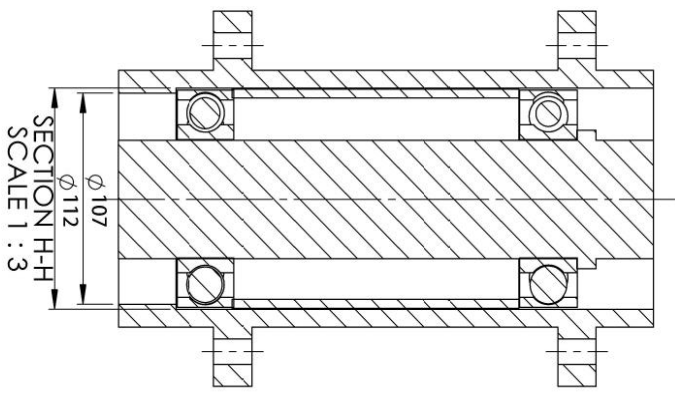
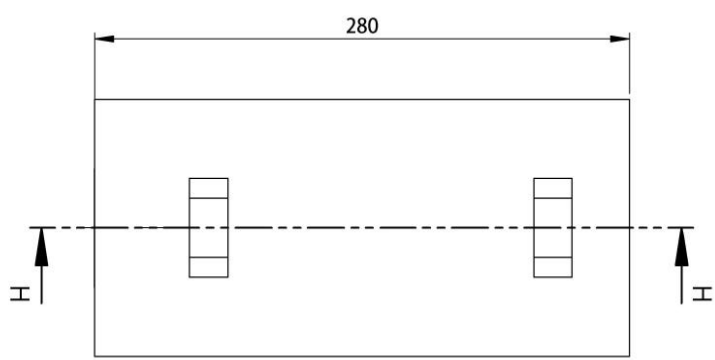
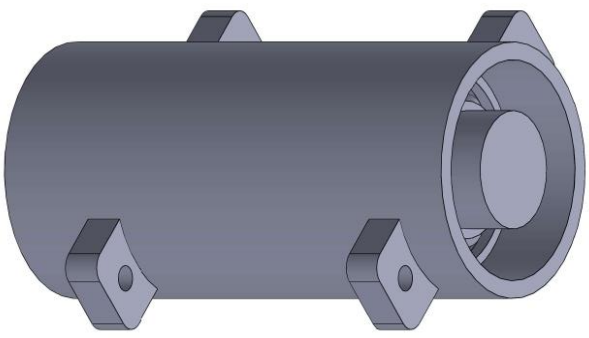
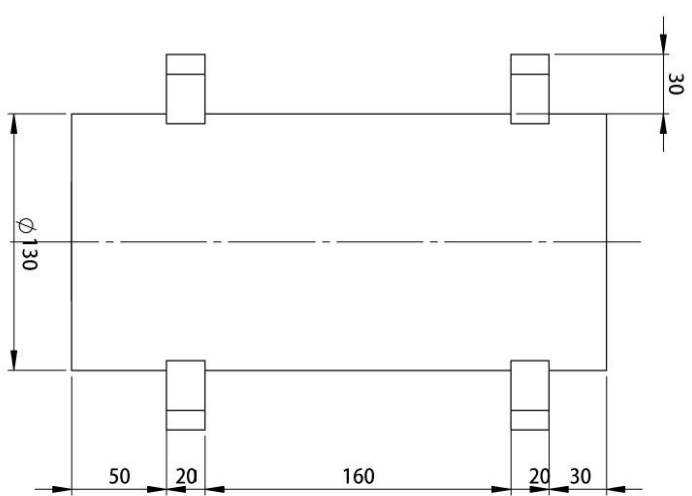
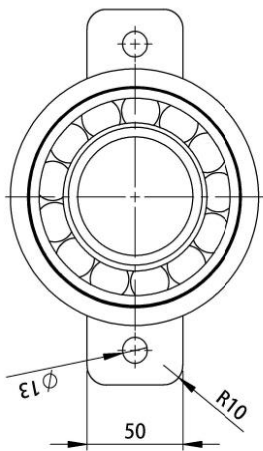


LAMPIRAN



	SKALA : 1:1	DIGAMBAR : AFKAR FARRAS B
	UKURAN : mm	NPM : 3331190040
TANGGAL: 19-12-2023	DIPERIKSA :	

FT UNTIRTA

HOUSE BEARING

SKRIPSI

A4

Tabel 1 Kecepatan 50-100 RPM

Data Waktu	A 50-100 I v4.5			A 50-100 versi 4.5 (Average)		A 50-100			A 50-100 versi 5.0 (Average)	
	A 50-100 I v4.5	A 50-100 II	A 50-100 III	A 50-100 versi 4.5 (Average)	A 50-100 versi 4.5 (Average)	A 50-100	A 50-100	A 50-100	A 50-100 versi 5.0 (Average)	A 50-100 versi 5.0 (Average)
0.0	0.847	0.807	0.948	0.867	0.867	0.570	0.572	0.328	0.490	0.490
	0.781	0.880	1.442	1.034	1.034	0.491	0.612	0.277	0.460	0.460
	0.781	1.137	1.688	1.202	1.202	0.452	0.456	0.328	0.412	0.412
	0.979	1.247	2.120	1.449	1.449	0.687	0.222	0.505	0.471	0.471
	1.110	1.357	2.366	1.611	1.611	0.920	0.183	0.454	0.519	0.519
	1.176	1.247	2.366	1.596	1.596	0.920	0.105	0.454	0.493	0.493
	1.176	1.247	2.181	1.535	1.535	0.686	0.261	0.404	0.450	0.450
	1.308	0.917	2.336	1.520	1.520	0.686	0.295	0.328	0.436	0.436
	1.176	0.770	2.336	1.427	1.427	0.570	0.293	0.151	0.338	0.338
	0.847	0.550	1.935	1.111	1.111	0.452	0.135	0.024	0.204	0.204
	0.649	0.111	1.596	0.785	0.785	0.258	0.177	-0.001	0.145	0.145
	0.188	-0.366	1.226	0.349	0.349	0.101	0.335	-0.001	0.145	0.145
	0.056	-0.769	1.010	0.099	0.099	0.179	0.453	-0.052	0.193	0.193
	-0.207	-0.916	0.948	-0.058	0.058	0.297	0.453	-0.204	0.182	0.182
	-0.800	-1.539	0.147	-0.731	0.731	0.336	0.532	-0.204	0.221	0.221
	-0.998	-1.979	-0.100	-1.026	1.026	0.414	0.728	-0.229	0.304	0.304
	-1.130	-2.052	-0.500	-1.227	1.227	0.531	1.039	-0.229	0.447	0.447
	-1.196	-2.125	-0.839	-1.387	1.387	1.393	1.114	-0.103	0.801	0.801
	-1.525	-2.345	-1.240	-1.703	1.703	1.393	0.881	-0.027	0.749	0.749
	-1.855	-2.565	-1.456	-1.959	1.959	1.354	0.803	0.125	0.761	0.761
	-1.855	-2.455	-1.610	-1.973	1.973	1.276	0.764	0.227	0.756	0.756
	-1.855	-2.455	-1.703	-2.004	2.004	1.120	0.804	0.353	0.759	0.759
	-1.855	-2.455	-1.672	-1.994	1.994	0.963	0.692	0.480	0.712	0.712
	-1.855	-1.979	-1.487	-1.774	1.774	0.649	0.496	0.556	0.567	0.567
	-0.924	-0.842	-1.209	-0.992	0.992	0.376	0.378	0.556	0.437	0.437
	-0.813	-0.366	-0.932	-0.704	0.704	0.101	0.378	0.530	0.336	0.336
	-0.398	0.331	-0.593	-0.220	0.220	0.061	0.105	0.303	0.156	0.156
	-0.066	0.587	-0.100	0.140	0.140	0.022	0.105	0.201	0.109	0.109
	0.156	0.917	0.640	0.571	0.571	0.140	0.104	0.125	0.123	0.123
	0.5	0.571	1.174	1.103	0.949	0.949	0.297	0.300	0.100	0.232
0.903		1.760	1.503	1.389	1.389	0.454	0.339	0.151	0.315	0.315
1.096		2.017	1.750	1.621	1.621	0.649	0.339	0.151	0.380	0.380
1.096		2.237	2.243	1.859	1.859	0.806	0.339	0.151	0.432	0.432
1.207		2.163	2.089	1.820	1.820	0.923	0.378	0.151	0.484	0.484
1.456		2.163	2.089	1.903	1.903	0.962	0.417	0.075	0.485	0.485
1.733		1.980	2.089	1.934	1.934	0.767	0.417	-0.001	0.394	0.394

	1.899	1.870	1.842	1.870	1.870	0.648	0.144	-0.027	0.255	0.255
	2.092	0.954	1.657	1.568	1.568	0.491	-0.014	-0.052	0.142	0.142
	2.037	0.550	1.565	1.384	1.384	0.255	-0.210	-0.103	-0.019	0.019
	1.982	0.037	1.195	1.071	1.071	-0.019	-0.522	-0.103	-0.215	0.215
	1.677	-0.403	1.041	0.772	0.772	-0.294	-0.638	-0.077	-0.336	0.336
	1.373	-0.879	0.548	0.347	0.347	-0.451	-0.831	-0.027	-0.436	0.436
	1.096	-1.466	0.209	-0.054	0.054	-0.293	-0.638	0.125	-0.269	0.269
	0.515	-1.722	-0.439	-0.549	0.549	-0.176	-0.482	0.201	-0.152	0.152
	0.073	-1.979	-0.839	-0.915	0.915	-0.020	-0.209	0.378	0.050	0.050
	-0.509	-2.419	-1.333	-1.420	1.420	0.020	-0.023	0.480	0.159	0.159
	-0.868	-2.419	-1.703	-1.663	1.663	0.137	0.134	0.556	0.276	0.276
	-1.200	-2.382	-1.949	-1.844	1.844	0.137	0.251	0.404	0.264	0.264
	-1.394	-2.419	-1.857	-1.890	1.890	0.176	-0.022	0.328	0.161	0.161
	-1.394	-2.125	-2.042	-1.854	1.854	0.333	-0.061	0.176	0.149	0.149
	-1.671	-1.576	-2.042	-1.763	1.763	0.333	-0.061	0.075	0.116	0.116
	-1.837	-1.172	-1.980	-1.663	1.663	0.294	-0.215	-0.103	-0.008	0.008
	-1.671	-0.623	-1.795	-1.363	1.363	0.216	-0.216	-0.204	-0.068	0.068
	-1.615	0.184	-1.302	-0.911	0.911	0.137	-0.099	-0.254	-0.072	0.072
	-1.505	0.550	-0.963	-0.639	0.639	-0.097	-0.060	-0.381	-0.179	0.179
	-1.228	1.137	-0.377	-0.156	0.156	-0.136	0.096	-0.533	-0.191	0.191
	-0.758	1.394	0.024	0.220	0.220	-0.175	0.174	-0.634	-0.212	0.212
	0.100	1.540	0.579	0.740	0.740	-0.175	0.139	-0.710	-0.249	0.249
	0.598	1.870	1.288	1.252	1.252	-0.057	0.059	-0.584	-0.194	0.194
1.0	0.875	1.980	1.812	1.556	1.556	0.061	0.056	-0.508	-0.130	0.130
	1.152	2.347	2.120	1.873	1.873	0.217	0.211	-0.406	0.007	0.007
	0.903	2.127	2.058	1.696	1.696	0.373	0.409	-0.128	0.218	0.218
	0.903	1.723	2.058	1.561	1.561	0.452	0.489	0.049	0.330	0.330
	0.792	1.100	2.366	1.419	1.419	0.569	0.489	0.252	0.437	0.437
	0.515	0.770	2.181	1.155	1.155	0.569	0.489	0.429	0.496	0.496
	0.515	0.587	1.904	1.002	1.002	0.608	0.568	0.353	0.510	0.510
	0.515	0.074	1.596	0.728	0.728	0.530	0.568	0.201	0.433	0.433
	0.654	-0.549	1.288	0.464	0.464	0.412	0.568	0.075	0.352	0.352
	0.792	-1.099	1.041	0.245	0.245	0.256	0.567	0.075	0.299	0.299
	0.875	-1.795	0.763	-0.052	0.052	0.139	0.644	-0.027	0.252	0.252
	0.986	-2.199	0.394	-0.273	0.273	0.061	0.724	-0.027	0.253	0.253
	0.654	-2.675	-0.315	-0.779	0.779	-0.094	0.648	-0.001	0.184	0.184
	0.488	-2.639	-0.685	-0.945	0.945	-0.172	0.531	-0.001	0.119	0.119
	0.183	-2.749	-0.839	-1.135	1.135	-0.172	0.492	-0.052	0.089	0.089
	-0.010	-3.115	-1.333	-1.486	1.486	0.024	0.453	-0.052	0.142	0.142
	-0.564	-2.858	-1.641	-1.688	1.688	0.102	0.375	-0.153	0.108	0.108
	-0.951	-2.565	-1.918	-1.811	1.811	0.180	0.142	-0.128	0.065	0.065
	-1.090	-1.979	-2.165	-1.745	1.745	0.180	-0.053	-0.128	0.000	0.000

	-1.173	-1.282	-2.381	-1.612	1.612	-0.133	-0.210	-0.103	-0.149	0.149
	-0.979	-0.879	-2.288	-1.382	1.382	-0.329	-0.445	-0.103	-0.292	0.292
	-1.200	-0.219	-2.072	-1.164	1.164	-0.487	-0.333	-0.103	-0.308	0.308
	-1.200	0.294	-2.165	-1.024	1.024	-0.683	-0.375	-0.052	-0.370	0.370
	-1.145	0.844	-2.072	-0.791	0.791	-0.918	-0.335	-0.027	-0.427	0.427
	-1.090	1.284	-1.271	-0.359	0.359	-0.956	-0.257	-0.027	-0.413	0.413
	-0.813	1.650	-0.809	0.009	0.009	-0.802	-0.257	-0.027	-0.362	0.362
	-0.592	2.053	-0.223	0.413	0.413	-0.606	-0.374	-0.027	-0.336	0.336
	-0.453	2.347	-0.038	0.619	0.619	-0.411	-0.219	0.024	-0.202	0.202
	0.045	2.273	0.825	1.048	1.048	-0.215	-0.302	0.100	-0.139	0.139
1.5	0.045	2.310	1.750	1.368	1.368	-0.059	-0.302	0.151	-0.070	0.070
				Av	1.144				Av	0.298
				Med	1.202				Med	0.264
				Max	2.004				Max	0.801
				Mod	0.220				Mod	0.336
				Std	0.584				Std	0.189

A 50-100	A 50-100	A 50-100	A 50-100 versi 5.5 (Average)	
0.020	-0.224	0.151	-0.018	0.018
-0.294	-0.146	0.151	-0.096	0.096
-0.294	-0.106	0.151	-0.083	0.083
-0.138	-0.106	0.024	-0.073	0.073
-0.060	-0.340	-0.204	-0.201	0.201
-0.060	-0.457	-0.381	-0.299	0.299
-0.254	-0.378	-0.533	-0.388	0.388
-0.372	-0.222	-0.533	-0.376	0.376
-0.450	-0.220	-0.406	-0.359	0.359
-0.450	-0.220	-0.330	-0.333	0.333
-0.214	-0.220	-0.229	-0.221	0.221
0.020	-0.377	-0.103	-0.153	0.153
0.137	-0.260	0.024	-0.033	0.033
0.294	-0.221	0.151	0.075	0.075
0.216	-0.182	0.227	0.087	0.087
-0.019	-0.065	0.378	0.098	0.098
-0.058	-0.026	0.404	0.107	0.107
0.099	0.170	0.277	0.182	0.182
0.099	0.288	0.151	0.179	0.179
-0.015	0.132	-0.001	0.039	0.039

-0.132	0.056	-0.128	-0.068	0.068
-0.249	0.251	-0.432	-0.143	0.143
-0.132	0.329	-0.584	-0.129	0.129
-0.054	0.407	-0.761	-0.136	0.136
0.142	0.214	-0.862	-0.169	0.169
0.181	-0.021	-0.837	-0.226	0.226
0.181	-0.139	-0.685	-0.214	0.214
0.298	-0.179	-0.533	-0.138	0.138
0.298	-0.179	-0.280	-0.054	0.054
0.298	0.017	-0.153	0.054	0.054
0.258	0.017	0.024	0.100	0.100
0.024	0.056	0.151	0.077	0.077
-0.172	0.015	0.252	0.032	0.032
-0.565	0.015	0.353	-0.066	0.066
-0.722	0.015	0.378	-0.110	0.110
-0.878	0.015	0.277	-0.195	0.195
-0.605	-0.181	0.176	-0.203	0.203
-0.526	-0.376	0.075	-0.276	0.276
-0.214	-0.377	-0.153	-0.248	0.248
-0.136	-0.339	-0.229	-0.235	0.235
-0.057	-0.379	-0.356	-0.264	0.264
-0.096	-0.379	-0.482	-0.319	0.319
-0.018	-0.301	-0.457	-0.259	0.259
-0.174	-0.379	-0.406	-0.320	0.320
-0.174	-0.418	-0.356	-0.316	0.316
-0.252	-0.418	-0.280	-0.317	0.317
-0.252	-0.418	-0.153	-0.274	0.274
-0.332	-0.344	-0.103	-0.260	0.260
-0.449	-0.455	-0.103	-0.336	0.336
-0.527	-0.455	0.075	-0.302	0.302
-0.527	-0.413	0.176	-0.255	0.255
-0.449	-0.414	0.227	-0.212	0.212
-0.254	-0.414	0.227	-0.147	0.147
-0.175	-0.336	0.252	-0.086	0.086
-0.059	-0.299	0.328	-0.010	0.010
0.019	-0.299	0.378	0.033	0.033
0.216	-0.338	0.429	0.102	0.102
0.372	-0.338	0.404	0.146	0.146
0.491	-0.338	0.151	0.101	0.101
0.335	-0.338	0.075	0.024	0.024
0.178	-0.338	0.075	-0.028	0.028
-0.175	-0.260	-0.103	-0.179	0.179

-0.332	-0.104	-0.381	-0.272	0.272
-0.566	-0.104	-0.254	-0.308	0.308
-0.645	0.014	-0.229	-0.287	0.287
-0.683	0.014	-0.128	-0.266	0.266
-0.487	0.014	0.024	-0.150	0.150
-0.409	0.170	0.075	-0.055	0.055
-0.370	0.133	0.328	0.030	0.030
-0.253	0.055	0.151	-0.016	0.016
-0.214	-0.021	0.151	-0.028	0.028
-0.175	-0.255	0.151	-0.093	0.093
-0.136	-0.332	0.024	-0.148	0.148
-0.291	-0.332	-0.204	-0.276	0.276
-0.369	-0.334	-0.381	-0.361	0.361
-0.604	-0.218	-0.533	-0.452	0.452
-0.760	-0.218	-0.533	-0.504	0.504
-0.956	-0.179	-0.406	-0.514	0.514
-1.189	-0.101	-0.330	-0.540	0.540
-1.189	-0.101	-0.229	-0.506	0.506
-1.189	-0.101	-0.103	-0.464	0.464
-1.032	-0.179	0.024	-0.396	0.396
-0.915	-0.335	0.151	-0.366	0.366
-0.681	-0.374	0.227	-0.276	0.276
-0.446	-0.530	0.378	-0.199	0.199
-0.368	-0.530	0.404	-0.165	0.165
-0.329	-0.608	0.277	-0.220	0.220
-0.251	-0.608	0.151	-0.236	0.236
-0.563	-0.608	-0.001	-0.391	0.391

Av	0.203
Med	0.195
Max	0.540
Mod	0.179
Std	0.133

Tabel 2 Kecepatan 100-150RPM

100-150 I	100-150 II	100-150 III	100-150 versi 4.5 (Average)		100-150	100-150	100-150	100-150 versi 5.0 (Average)	
1.826	1.479	1.145	1.483	1.483	-0.557	-0.662	-0.570	-0.596	0.596
1.751	1.479	1.005	1.412	1.412	-0.324	-0.090	-0.259	-0.224	0.224

1.266	1.257	1.250	1.258	1.258	-0.169	0.484	0.208	0.174	0.174
1.005	0.980	0.411	0.799	0.799	0.141	0.853	0.596	0.530	0.530
0.482	0.537	-0.184	0.278	0.278	0.179	1.057	1.025	0.754	0.754
0.072	-0.100	-0.814	-0.281	0.281	0.761	1.426	1.375	1.187	1.187
-0.301	-1.152	-1.514	-0.989	0.989	1.149	1.221	1.725	1.365	1.365
-0.712	-1.900	-2.354	-1.655	1.655	1.497	0.934	1.803	1.411	1.411
-0.973	-2.177	-2.808	-1.986	1.986	1.692	0.565	1.647	1.301	1.301
-1.533	-2.924	-2.878	-2.445	2.445	1.847	0.279	1.297	1.141	1.141
-2.466	-3.201	-3.298	-2.988	2.988	1.615	-0.089	0.947	0.824	0.824
-2.541	-3.533	-2.843	-2.972	2.972	1.072	-0.458	0.519	0.378	0.378
-2.578	-3.616	-2.948	-3.047	3.047	0.762	-0.499	0.286	0.183	0.183
-2.615	-3.367	-3.228	-3.070	3.070	0.374	-0.622	-0.220	-0.156	0.156
-2.466	-3.118	-2.598	-2.727	2.727	0.025	-0.621	-0.493	-0.363	0.363
-2.205	-2.647	-2.424	-2.425	2.425	-0.053	-0.457	-0.609	-0.373	0.373
-1.906	-2.370	-1.759	-2.012	2.012	-0.402	-0.416	-0.920	-0.579	0.579
-1.346	-2.010	-1.269	-1.542	1.542	-0.634	-0.375	-1.115	-0.708	0.708
-0.712	-1.290	-0.744	-0.915	0.915	-0.828	-0.498	-0.920	-0.749	0.749
-0.115	-0.515	-0.289	-0.306	0.306	-0.673	-0.744	-0.920	-0.779	0.779
0.818	-0.294	0.166	0.230	0.230	-0.597	-0.785	-0.920	-0.767	0.767
1.154	0.426	0.935	0.838	0.838	-0.558	-0.908	-0.881	-0.782	0.782
1.639	0.925	1.635	1.400	1.400	-0.558	-0.990	-0.609	-0.719	0.719
1.938	1.285	2.020	1.748	1.748	-0.557	-0.990	-0.570	-0.706	0.706
2.348	1.839	2.370	2.186	2.186	-0.557	-0.908	-0.453	-0.639	0.639
2.274	2.392	2.475	2.380	2.380	-0.558	-0.826	-0.220	-0.535	0.535
2.236	2.254	2.125	2.205	2.205	-0.325	-0.458	0.169	-0.205	0.205
2.236	2.060	1.810	2.035	2.035	-0.093	-0.130	0.402	0.060	0.060
1.863	1.894	1.565	1.774	1.774	0.140	0.157	0.636	0.311	0.311
1.677	1.672	1.180	1.510	1.510	0.450	0.402	1.336	0.729	0.729
1.415	1.285	0.831	1.177	1.177	0.683	1.017	1.647	1.116	1.116
1.191	1.008	0.376	0.858	0.858	1.225	1.057	1.530	1.271	1.271
0.034	0.537	-0.079	0.164	0.164	1.459	1.344	1.453	1.419	1.419
-0.413	-0.044	-0.604	-0.354	0.354	1.769	1.385	1.141	1.432	1.432
-1.160	-0.598	-1.444	-1.067	1.067	1.962	1.139	0.752	1.284	1.284
-1.570	-1.374	-1.934	-1.626	1.626	1.382	0.606	0.441	0.810	0.810
-2.056	-1.983	-2.598	-2.212	2.212	0.955	0.238	0.091	0.428	0.428
-2.205	-2.509	-3.123	-2.612	2.612	0.644	-0.130	-0.142	0.124	0.124
-2.056	-2.758	-3.403	-2.739	2.739	0.451	-0.171	-0.493	-0.071	0.071
-2.317	-3.146	-3.263	-2.909	2.909	0.141	-0.295	-0.804	-0.319	0.319
-2.317	-3.063	-2.878	-2.753	2.753	-0.209	-0.295	-0.648	-0.384	0.384
-2.130	-2.675	-2.564	-2.456	2.456	-0.247	-0.171	-0.648	-0.355	0.355
-1.458	-2.647	-1.969	-2.025	2.025	-0.171	-0.049	-0.765	-0.328	0.328
-1.458	-2.093	-1.514	-1.688	1.688	-0.133	-0.049	-1.076	-0.419	0.419

-0.973	-1.595	-1.024	-1.197	1.197	-0.481	-0.049	-0.959	-0.496	0.496
-0.413	-1.069	-0.534	-0.672	0.672	-0.404	-0.048	-0.843	-0.432	0.432
0.072	-0.487	0.096	-0.106	0.106	-0.520	0.034	-0.843	-0.443	0.443
0.594	-0.044	0.621	0.390	0.390	-0.634	-0.213	-0.959	-0.602	0.602
1.005	0.897	1.250	1.051	1.051	-0.634	-0.499	-0.765	-0.633	0.633
1.863	1.562	1.530	1.652	1.652	-0.634	-0.540	-0.337	-0.504	0.504
2.274	2.005	1.950	2.076	2.076	-0.596	-0.622	-0.259	-0.492	0.492
2.498	2.226	2.405	2.376	2.376	-0.363	-0.622	0.013	-0.324	0.324
2.610	2.365	2.720	2.565	2.565	-0.092	-0.458	0.130	-0.140	0.140
2.460	2.642	3.000	2.701	2.701	0.102	-0.376	0.597	0.108	0.108
2.423	2.503	2.755	2.560	2.560	0.297	-0.007	1.219	0.503	0.503
2.423	2.503	2.125	2.350	2.350	0.529	0.361	1.414	0.768	0.768
2.050	2.448	1.880	2.126	2.126	0.840	0.730	1.297	0.956	0.956
1.714	2.198	1.915	1.942	1.942	1.343	1.057	1.180	1.193	1.193
1.303	2.005	1.705	1.671	1.671	1.421	1.344	0.986	1.250	1.250
0.632	1.589	1.145	1.122	1.122	1.498	1.508	0.597	1.201	1.201
-0.264	1.119	0.586	0.480	0.480	1.305	1.508	0.208	1.007	1.007
-0.787	0.537	0.166	-0.028	0.028	1.033	1.302	-0.142	0.731	0.731
-1.346	0.011	-0.464	-0.600	0.600	0.917	0.893	-0.531	0.426	0.426
-2.093	-0.626	-0.954	-1.224	1.224	0.451	0.443	-0.648	0.082	0.082
-2.130	-1.124	-1.374	-1.543	1.543	0.102	0.115	-0.765	-0.183	0.183
-2.578	-1.595	-1.934	-2.036	2.036	-0.169	-0.089	-0.920	-0.393	0.393
-2.615	-2.010	-2.109	-2.245	2.245	-0.363	-0.253	-0.998	-0.538	0.538
-2.578	-2.232	-1.829	-2.213	2.213	-0.441	-0.253	-0.653	-0.449	0.449
-2.503	-1.789	-1.374	-1.889	1.889	-0.594	-0.171	-0.732	-0.499	0.499
-2.130	-1.900	-1.374	-1.801	1.801	-0.595	-0.171	-0.770	-0.512	0.512
-1.720	-1.789	-0.779	-1.429	1.429	-0.711	-0.171	-0.848	-0.577	0.577
-1.346	-1.595	-0.604	-1.182	1.182	-0.789	-0.294	-0.848	-0.644	0.644
-1.160	-0.986	-0.604	-0.917	0.917	-0.789	-0.499	-0.693	-0.660	0.660
-0.712	-0.404	-0.184	-0.433	0.433	-1.021	-0.499	-0.420	-0.647	0.647
-0.227	-0.072	0.236	-0.021	0.021	-1.138	-0.458	-0.148	-0.581	0.581
0.557	0.233	0.831	0.540	0.540	-1.177	-0.458	0.046	-0.530	0.530
0.744	0.620	1.355	0.906	0.906	-1.021	-0.458	0.241	-0.413	0.413
1.005	1.091	1.705	1.267	1.267	-0.828	-0.540	0.592	-0.259	0.259
1.714	1.395	1.985	1.698	1.698	-0.711	-0.540	1.252	0.000	0.000
2.348	2.005	2.265	2.206	2.206	-0.440	-0.376	1.719	0.301	0.301
2.535	2.642	2.545	2.574	2.574	-0.130	-0.130	1.719	0.486	0.486
2.498	2.725	2.720	2.648	2.648	0.142	0.197	1.368	0.569	0.569
2.274	2.586	2.475	2.445	2.445	0.567	0.443	0.980	0.663	0.663
1.751	2.475	2.125	2.117	2.117	0.955	0.648	0.669	0.757	0.757
1.453	2.475	2.230	2.053	2.053	1.227	0.935	0.202	0.788	0.788
1.154	2.448	1.880	1.827	1.827	1.382	1.180	0.124	0.895	0.895

0.930	2.254	1.460	1.548	1.548	1.150	1.262	0.163	0.858	0.858	
0.258	1.894	1.180	1.111	1.111	0.762	1.262	-0.304	0.573	0.573	
-0.115	1.423	0.691	0.666	0.666	0.258	1.139	-0.615	0.261	0.261	
				Av	1.615				Av	0.610
				Med	1.671				Med	0.569
				Max	3.070				Max	1.432
				Mod	2.445				Mod	#N/A
				Std	0.828				Std	0.354

100-150	100-150	100-150	100-150 versi 5.5 (Average)	
-0.130	0.852	-0.615	0.036	0.036
-0.518	0.525	-0.771	-0.255	0.255
-0.867	0.197	-0.809	-0.493	0.493
-0.867	-0.090	-0.848	-0.602	0.602
-0.713	-0.417	-0.621	-0.584	0.584
-0.480	-0.417	-0.659	-0.519	0.519
-0.363	-0.376	-0.776	-0.505	0.505
-0.557	-0.335	-0.815	-0.569	0.569
-0.635	-0.171	-0.582	-0.463	0.463
-0.635	-0.171	-0.465	-0.424	0.424
-0.596	-0.253	-0.232	-0.360	0.360
-0.829	-0.458	0.079	-0.403	0.403
-0.868	-0.950	0.235	-0.528	0.528
-0.945	-0.827	0.429	-0.448	0.448
-0.945	-0.785	0.896	-0.278	0.278
-0.752	-0.703	1.168	-0.096	0.096
-0.364	-0.867	1.596	0.122	0.122
-0.054	-0.704	1.169	0.137	0.137
0.102	-0.376	0.974	0.233	0.233
0.801	0.075	0.624	0.500	0.500
1.342	0.034	0.157	0.511	0.511
1.537	0.116	-0.037	0.539	0.539
1.576	0.853	-0.348	0.694	0.694
1.266	0.976	-0.659	0.528	0.528
0.878	1.017	-0.660	0.412	0.412
0.413	1.017	-0.660	0.257	0.257
-0.014	0.894	-0.815	0.022	0.022
-0.363	0.526	-0.592	-0.143	0.143
-0.750	0.280	-0.942	-0.471	0.471
-0.789	0.034	-0.631	-0.462	0.462

-1.022	-0.212	-0.670	-0.635	0.635
-1.021	-0.499	-0.748	-0.756	0.756
-0.866	-0.334	-0.787	-0.662	0.662
-0.711	-0.334	-0.631	-0.559	0.559
-0.595	-0.294	-0.476	-0.455	0.455
-0.557	-0.294	-0.320	-0.390	0.390
-0.518	-0.294	-0.048	-0.287	0.287
-0.518	-0.294	0.185	-0.209	0.209
-0.596	-0.581	0.497	-0.227	0.227
-0.596	-0.622	1.119	-0.033	0.033
-0.635	-0.663	1.508	0.070	0.070
-0.634	-0.745	1.702	0.108	0.108
-0.518	-0.868	1.897	0.170	0.170
-0.286	-0.868	1.353	0.066	0.066
0.024	-0.704	0.924	0.081	0.081
0.451	-0.580	0.225	0.032	0.032
0.878	-0.253	-0.048	0.192	0.192
1.342	0.034	-0.203	0.391	0.391
1.536	0.321	-0.437	0.473	0.473
1.304	0.526	-0.631	0.400	0.400
0.878	0.730	-0.592	0.339	0.339
0.490	1.058	-0.787	0.254	0.254
0.063	0.935	-0.865	0.044	0.044
-0.208	0.894	-1.030	-0.115	0.115
-0.518	0.853	-0.913	-0.193	0.193
-0.673	0.730	-1.030	-0.324	0.324
-0.790	0.525	-0.952	-0.406	0.406
-0.790	0.157	-0.913	-0.515	0.515
-0.635	-0.048	-0.758	-0.480	0.480
-0.635	-0.089	-0.525	-0.416	0.416
-0.596	-0.130	-0.291	-0.339	0.339
-0.596	-0.172	-0.019	-0.262	0.262
-0.596	-0.254	0.136	-0.238	0.238
-0.635	-0.212	0.837	-0.003	0.003
-0.790	-0.335	1.148	0.008	0.008
-0.635	-0.335	1.498	0.176	0.176
-0.674	-0.581	1.887	0.211	0.211
-0.674	-0.581	1.537	0.094	0.094
-0.442	-0.581	1.031	0.003	0.003
-0.248	-0.663	0.682	-0.076	0.076
-0.055	-0.622	0.293	-0.128	0.128
0.295	-0.622	0.137	-0.063	0.063

0.993	-0.785	-0.330	-0.041	0.041
1.226	-0.499	-0.369	0.119	0.119
1.381	-0.130	-0.408	0.281	0.281
1.225	0.197	-0.330	0.364	0.364
0.800	0.402	-0.485	0.239	0.239
0.567	0.525	-0.835	0.086	0.086
0.179	0.730	-0.920	-0.004	0.004
0.024	0.976	-0.803	0.066	0.066
-0.170	1.181	-0.803	0.069	0.069
-0.403	1.016	-0.687	-0.025	0.025
-0.597	0.607	-0.687	-0.226	0.226
-0.598	-0.745	-0.687	-0.677	0.677
-0.520	-0.785	-0.609	-0.638	0.638
-0.404	-0.785	-0.298	-0.496	0.496
-0.365	-0.867	-0.103	-0.445	0.445
-0.401	-0.909	0.052	-0.419	0.419
-0.440	-0.908	0.052	-0.432	0.432
Av			0.304	
Med			0.281	
Max			0.756	
Mod			#N/A	
Std			0.203	

Tabel 3 Kecepatan 150-200 RPM

150-200 I v.4.5	150-200 II v.4.5	150-200 versi 4.5 (Rata-rata)		150-200 I v.5.0	150-200 I v.5.0	150-200 versi 5.0 (Rata-rata)		150-200 I v.5.5	150-200 I v.5.5	150-200 versi 5.5 (Rata-rata)	
-0.040	-2.587	-1.314	1.314	0.257	0.371	0.314	0.314	-0.597	-0.616	-0.607	0.607
-0.081	-2.412	-1.247	1.247	0.336	0.371	0.354	0.354	-0.596	-0.539	-0.568	0.568
0.043	-1.888	-0.923	0.923	0.414	0.410	0.412	0.412	-0.557	-0.386	-0.472	0.472
0.249	-1.247	-0.499	0.499	0.414	0.372	0.393	0.393	-0.540	-0.155	-0.348	0.348
0.539	-0.665	-0.063	0.063	0.101	0.103	0.102	0.102	-0.426	0.459	0.017	0.017
0.456	-0.082	0.187	0.187	-0.095	0.142	0.024	0.024	-0.151	1.189	0.519	0.519
0.249	0.733	0.491	0.491	-0.448	0.218	-0.115	0.115	0.083	1.419	0.751	0.751
-0.040	1.374	0.667	0.667	-0.643	0.103	-0.270	0.270	0.828	1.458	1.143	1.143
-0.247	1.898	0.826	0.826	-0.839	-0.243	-0.541	0.541	1.533	1.535	1.534	1.534
-0.329	2.189	0.930	0.930	-0.800	-0.589	-0.695	0.695	1.767	1.150	1.459	1.459
-0.288	2.131	0.922	0.922	-0.878	-0.781	-0.830	0.830	1.180	0.805	0.993	0.993

-0.288	2.014	0.863	0.863	-0.917	-0.474	-0.696	0.696	0.946	0.459	0.703	0.703
-0.164	1.898	0.867	0.867	-0.917	-0.551	-0.734	0.734	0.555	0.268	0.412	0.412
-0.081	1.723	0.821	0.821	-0.838	-0.588	-0.713	0.713	0.280	0.075	0.178	0.178
-0.081	1.548	0.734	0.734	-0.525	-0.473	-0.499	0.499	-0.269	-0.232	-0.251	0.251
0.001	1.315	0.658	0.658	-0.056	-0.473	-0.265	0.265	-0.385	-0.385	-0.385	0.385
0.167	1.024	0.596	0.596	0.453	-0.050	0.202	0.202	-0.386	-0.500	-0.443	0.443
0.043	0.617	0.330	0.330	0.571	0.257	0.414	0.414	-0.464	-0.308	-0.386	0.386
-0.123	0.558	0.218	0.218	1.237	0.680	0.959	0.959	-0.542	-0.346	-0.444	0.444
-0.660	0.442	-0.109	0.109	1.551	1.102	1.327	1.327	-0.620	-0.616	-0.618	0.618
-1.156	0.151	-0.503	0.503	1.514	1.601	1.558	1.558	-0.541	-0.616	-0.579	0.579
-1.529	-0.548	-1.039	1.039	1.082	1.793	1.438	1.438	-0.894	-0.769	-0.832	0.832
-1.735	-0.898	-1.317	1.317	0.573	1.678	1.126	1.126	-0.913	-0.867	-0.890	0.890
-1.777	-1.247	-1.512	1.512	0.220	1.063	0.642	0.642	-0.718	-0.751	-0.735	0.735
-1.777	-1.597	-1.687	1.687	-0.211	0.678	0.234	0.234	-0.718	-0.636	-0.677	0.677
-1.653	-2.354	-2.004	2.004	-0.681	0.410	-0.136	0.136	-0.719	-0.636	-0.678	0.678
-1.280	-2.528	-1.904	1.904	-0.877	-0.013	-0.445	0.445	-0.719	-0.560	-0.640	0.640
-0.867	-2.820	-1.844	1.844	0.031	-0.167	-0.068	0.068	-0.758	-0.252	-0.505	0.505
-0.371	-2.703	-1.537	1.537	0.031	-0.166	-0.068	0.068	-0.640	0.017	-0.312	0.312
0.001	-2.470	-1.235	1.235	0.031	-0.319	-0.144	0.144	-0.287	0.247	-0.020	0.020
0.498	-2.004	-0.753	0.753	0.031	-0.550	-0.260	0.260	-0.170	0.785	0.308	0.308
0.787	-1.480	-0.347	0.347	-0.047	-0.589	-0.318	0.318	-0.052	1.169	0.559	0.559
1.242	-0.956	0.143	0.143	-0.164	-0.703	-0.434	0.434	0.026	1.207	0.617	0.617
1.118	0.209	0.664	0.664	-0.438	-0.934	-0.686	0.686	1.004	1.207	1.106	1.106
1.076	1.082	1.079	1.079	-0.477	-0.972	-0.725	0.725	1.318	1.129	1.224	1.224
0.622	1.607	1.115	1.115	-0.595	-0.626	-0.611	0.611	1.553	0.975	1.264	1.264
0.746	2.131	1.439	1.439	-0.751	-0.742	-0.747	0.747	1.396	0.745	1.071	1.071
0.746	2.480	1.613	1.613	-0.829	-0.896	-0.863	0.863	1.163	0.284	0.724	0.724
0.622	2.597	1.610	1.610	-0.829	-0.895	-0.862	0.862	0.928	0.093	0.511	0.511
0.498	2.538	1.518	1.518	-0.713	-0.742	-0.728	0.728	0.575	-0.214	0.181	0.181
0.415	2.422	1.419	1.419	-0.556	-0.626	-0.591	0.591	0.262	-0.368	-0.053	0.053
0.291	1.956	1.124	1.124	-0.203	-0.243	-0.223	0.223	0.066	-0.406	-0.170	0.170
0.249	1.432	0.841	0.841	0.071	0.180	0.126	0.126	-0.169	-0.252	-0.211	0.211
0.043	0.966	0.505	0.505	0.463	0.449	0.456	0.456	-0.287	-0.252	-0.270	0.270
-0.081	0.209	0.064	0.064	0.894	0.756	0.825	0.825	-0.208	-0.445	-0.327	0.327
-0.329	-0.199	-0.264	0.264	1.442	1.332	1.387	1.387	-0.170	-0.598	-0.384	0.384
-0.536	-0.665	-0.601	0.601	1.716	1.678	1.697	1.697	-0.248	-0.752	-0.500	0.500
-0.743	-1.189	-0.966	0.966	1.678	1.716	1.697	1.697	-0.522	-0.867	-0.695	0.695
-1.404	-0.956	-1.180	1.180	1.521	1.254	1.388	1.388	-0.992	-1.136	-1.064	1.064
-1.653	-0.839	-1.246	1.246	0.856	0.947	0.902	0.902	-0.918	-0.982	-0.950	0.950
-1.818	-0.839	-1.329	1.329	0.385	0.448	0.417	0.417	-0.839	-0.982	-0.911	0.911
-1.777	-0.898	-1.338	1.338	0.032	0.026	0.029	0.029	-0.801	-0.905	-0.853	0.853
-1.942	-0.781	-1.362	1.362	-0.242	-0.166	-0.204	0.204	-0.801	-0.828	-0.815	0.815

-1.818	-0.665	-1.242	1.242	-0.360	-0.396	-0.378	0.378	-0.722	-0.060	-0.391	0.391
-1.694	-0.665	-1.180	1.180	-0.438	-0.588	-0.513	0.513	-0.722	0.209	-0.257	0.257
-1.363	-0.723	-1.043	1.043	-0.556	-0.549	-0.553	0.553	-0.527	0.592	0.033	0.033
-1.032	-0.490	-0.761	0.761	-0.517	-0.472	-0.495	0.495	-0.214	1.130	0.458	0.458
-0.743	-0.432	-0.588	0.588	-0.399	-0.357	-0.378	0.378	0.100	1.399	0.750	0.750
-0.040	-0.199	-0.120	0.120	-0.516	-0.434	-0.475	0.475	0.452	1.630	1.041	1.041
0.374	0.442	0.408	0.408	-0.554	-0.549	-0.552	0.552	1.041	1.323	1.182	1.182
0.911	0.966	0.939	0.939	-0.446	-0.665	-0.556	0.556	1.550	0.977	1.264	1.264
1.201	1.315	1.258	1.258	-0.602	-0.741	-0.672	0.672	1.706	0.632	1.169	1.169
1.242	1.723	1.483	1.483	-0.406	-0.896	-0.651	0.651	1.667	0.209	0.938	0.938
1.242	2.189	1.716	1.716	-0.563	-0.857	-0.710	0.710	1.354	-0.137	0.609	0.609
1.118	2.597	1.858	1.858	-0.759	-0.742	-0.751	0.751	0.727	-0.367	0.180	0.180
0.911	2.655	1.783	1.783	-0.524	-0.742	-0.633	0.633	0.493	-0.444	0.025	0.025
0.539	2.713	1.626	1.626	-0.250	-0.627	-0.439	0.439	0.101	-0.290	-0.095	0.095
0.208	2.597	1.403	1.403	-0.015	-0.434	-0.225	0.225	-0.017	-0.405	-0.211	0.211
0.167	2.131	1.149	1.149	0.416	-0.127	0.145	0.145	-0.370	-0.482	-0.426	0.426
0.084	1.374	0.729	0.729	0.769	0.180	0.475	0.475	-0.487	-0.483	-0.485	0.485
-0.247	0.675	0.214	0.214	1.435	0.833	1.134	1.134	-0.488	-0.637	-0.563	0.563
-0.619	0.209	-0.205	0.205	1.631	1.217	1.424	1.424	-0.488	-0.943	-0.716	0.716
-0.908	-0.432	-0.670	0.670	1.631	1.370	1.501	1.501	-0.800	-1.021	-0.911	0.911
-0.826	-1.072	-0.949	0.949	1.199	1.255	1.227	1.227	-0.996	-1.059	-1.028	1.028
-1.115	-1.655	-1.385	1.385	1.004	0.832	0.918	0.918	-1.091	-0.905	-0.998	0.998
-1.446	-2.295	-1.871	1.871	0.652	0.525	0.589	0.589	-1.249	-0.982	-1.116	1.116
-1.570	-2.470	-2.020	2.020	0.299	0.218	0.259	0.259	-0.974	-0.828	-0.901	0.901
-1.942	-2.412	-2.177	2.177	-0.132	-0.166	-0.149	0.149	-0.819	-0.482	-0.651	0.651
-2.025	-2.470	-2.248	2.248	-0.171	-0.281	-0.226	0.226	-0.584	-0.213	-0.399	0.399
-1.901	-2.179	-2.040	2.040	-0.327	-0.396	-0.362	0.362	-0.544	-0.098	-0.321	0.321
-1.777	-1.713	-1.745	1.745	-0.405	-0.588	-0.497	0.497	-0.270	0.440	0.085	0.085
-1.487	-1.189	-1.338	1.338	-0.288	-0.626	-0.457	0.457	-0.073	0.901	0.414	0.414
-1.239	-0.490	-0.865	0.865	-0.327	-0.434	-0.381	0.381	0.201	1.400	0.801	0.801
-0.950	0.267	-0.342	0.342	-0.327	-0.588	-0.458	0.458	0.319	1.553	0.936	0.936
0.001	0.558	0.280	0.280	-0.367	-0.742	-0.555	0.555	0.712	1.284	0.998	0.998
0.622	0.558	0.590	0.590	-0.484	-0.770	-0.627	0.627	1.025	0.785	0.905	0.905
1.407	1.082	1.245	1.245	-0.562	-0.885	-0.724	0.724	1.142	0.171	0.657	0.657
1.945	1.374	1.660	1.660	-0.562	-0.885	-0.724	0.724	1.337	-0.021	0.658	0.658
2.193	1.956	2.075	2.075	-0.719	-0.808	-0.764	0.764	0.868	0.056	0.462	0.462
	Av	1.051			Av	0.601			Av	0.628	
	Med	1.043			Med	0.541			Med	0.609	
	Max	2.248			Max	1.697			Max	1.534	
	Mod	#N/A			Mod	1.697			Mod	0.911	
	Std	0.569			Std	0.397			Std	0.355	