

# Journal IJECE (QB-LNA) Q2

*by* Alimuddin Alimuddin

---

**Submission date:** 19-May-2022 11:37PM (UTC+0700)

**Submission ID:** 1839947906

**File name:** JURNAL\_IJECE.pdf (1.18M)

**Word count:** 3716

**Character count:** 18847

## Concurrent Quad-band Low Noise Amplifier (QB-LNA) using Multisection Impedance Transformer

Teguh Firmansyah, Anggoro Suryo Pramudyo, Siswo Wardoyo, Romi Wiryadinata, Alimuddin  
Department of Electrical Engineering, University of Sultan Ageng Tirtayasa, Indonesia

### Article Info

#### Article history:

Received Feb 12, 2017

Revised Apr 28, 2017

Accepted Apr 12, 2017

#### Keyword:

Gain  
Impedance transformer  
Low noise amplifier  
Noise figure

### ABSTRACT

A quad-band low noise amplifier (QB-LNA) based on multisection impedance transformer designed and evaluated in this research. As a novelty, a multisection impedance transformer was used to produce QB-LNA. A multisection impedance transformer is used as input and output impedance matching because it has higher stability, large Q factor, and low noise than lumped component. The QB-LNA was designed on FR4 microstrip substrate with  $\epsilon_r = 4.4$ , thickness  $h = 1.6$  mm, and  $\delta = 0.026$ . The proposed QB-LNA was designed and analyzed by Advanced Design System (ADS). The simulation has shown that QB-LNA achieves gain ( $S_{21}$ ) of 22.91 dB, 16.5 dB, 11.18 dB, and 7.25 dB at 0.92 GHz, 1.84 GHz, 2.61 GHz, and 3.54 GHz, respectively. The QB-LNA obtains return loss ( $S_{11}$ ) of -21.28 dB, -31.87 dB, -28.08 dB, and -30.85 dB at 0.92 GHz, 1.84 GHz, 2.61 GHz, and 3.54 GHz, respectively. It also achieves a Noise figure (nf) of 2.35 dB, 2.13 dB, 2.56 dB, and 3.55 dB at 0.92 GHz, 1.84 GHz, 2.61 GHz, and 3.54 GHz, respectively. This research also has shown that the Figure of merit (FoM) of the proposed QB-LNA is higher than that of another multiband LNA.

Copyright © 2017 Institute of Advanced Engineering and Science.  
All rights reserved.

### Corresponding Author:

Teguh Firmansyah,  
Department of Electrical Engineering,  
University of Sultan Ageng Tirtayasa,  
Jl. Jenderal Sudirman. Km. 3. Cilegon. Banten. 42435. Indonesia.  
Email: teguhfirmansyah@untirta.ac.id

### 1. INTRODUCTION

High demand for various types of wireless communications, encourage the research and development of multiband transceiver [1]. The multiband transceiver accommodate multiple types of wireless technologies simultaneously, making it cheaper, more efficient, and compact [2]. A subsystem of multiband transceiver consists of a multiband antenna (MA) [3], [4], a multiband power amplifier (MPA) [5], [6], a multiband mixer (MM) [7], a multiband band-pass filter (MBPF) [8-10] and multiband low noise amplifier (MLNA) [11-13]. A low noise amplifier (LNA) is necessary to amplify a signal without increasing the noise and interference at several frequencies simultaneously [14].

There are several method frequently used for MLNA design such as; wideband matching [15], switch method [16], and concurrent multiband [17-19]. The wideband method can produce LNA with wide frequency operating. However, this method has drawbacks such as high interference signal, because the unneeded signal is also strengthened. Meanwhile, switch method has the advantage of low interference but a switch-LNA works optimally at a single frequency. In addition, the switch method also requires additional switch with a good performance. A concurrent method could produce LNA with low interference and good performance at multiple frequencies simultaneously. The employment of concurrent multiband can be done by using lumped components as input and output matching impedances, but it makes the design of MLNA be more complex.

As novelty, a concurrent quad-band low noise amplifier (QB-LNA) using multisection impedance transformer was proposed in this paper. A multisection impedance transformer (MIT) was used to produce a

multiband matching circuit. MIT has many advantages including low noise, high stability, simple, and easy in fabrication. The QB-LNA has frequencies 0.92 GHz, 1.84 GHz, 2.61 GHz, and 3.54 GHz, for GSM900, WCDMA1800, LTE2600, and LTE3500 application respectively. The QB-LNA was designed on FR4 microstrip substrate with  $\epsilon_r= 4.4$ ,  $h=1.6$  mm, and  $\tan \delta = 0.0265$ . The QB-LNA was simulated by using Schematic Simulation Advanced System Design (ADS). This research also was shown that the Figure of merit (FoM) of the proposed QB-LNA is higher than that of another multiband LNA.

**2. THE PROPOSED METHOD**

16

A subsystem of QB-LNA consist of bias transistor, input impedance maching (IIM), and output impedance matching (OIM) [12], [14] as shown in Figure 1. The FET NE321S01 with a low power source of bias  $V_{CC} = 5$  V was used. A multi-section impedance transformer (MIT) as IIM and OIM was proposed in this research to produce four-band LNAs as shown in Figure 2.

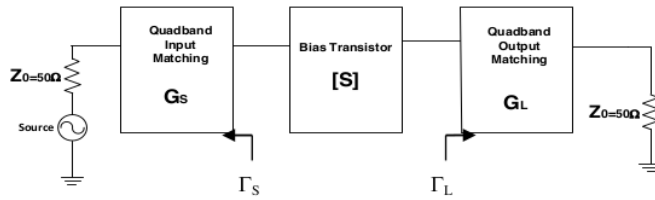


Figure 1. A subsystem of multiband LNA

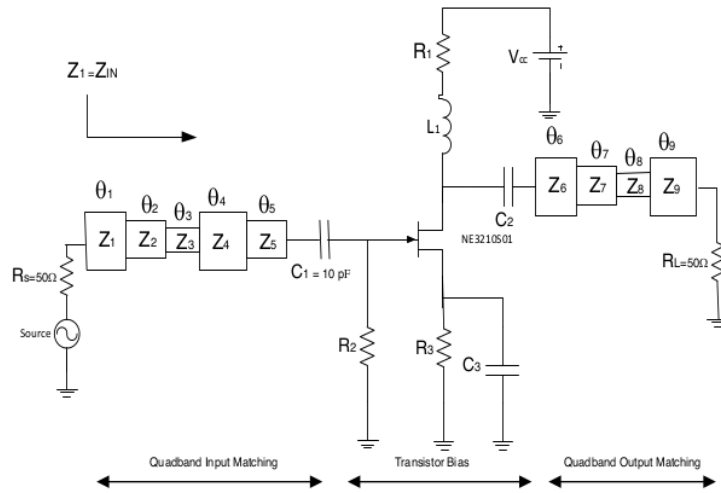


Figure 2. A multi-section impedance transformer (MIT) as IIM and OIM

with termination port ( $R_S$  and  $R_L$ ), bias circuit resistance  $R_N$  ( $N=1,2,3$ ), power supply ( $V_{CC}$ ), coupling capacitor  $C_N$  ( $N=1,2,3$ ), RF choke ( $L_1$ ), the impedance of transmission line  $Z_N$  ( $N=1,2,3,4,5,6,7,8,9$ ), electrical length  $\theta_N$  ( $N=1,2,3,4,5,6,7,8,9$ ), and input impedance  $Z_{IN}$ .

**2.1. Small Signal and Resonant Conditions Analysis**

Figure 3 shows a small signal analysis of transistor bias circuit. The input impedance  $Z_{IN}$  is given by Equation (1) with transconductance ( $g_m$ ), source inductance ( $L_S$ ), gate inductance ( $L_G$ ), and gate-source capacitance ( $C_{GS}$ ).

6

$$\begin{aligned}
 Z_{IN} &= j\omega L_s + j\omega L_g + \frac{1}{j\omega C_{gs}} + \frac{g_m}{C_{gs}} L_s \\
 &= j\omega(L_s + L_g) + \frac{1}{j\omega C_{gs}} + \frac{g_m}{C_{gs}} L_s
 \end{aligned} \quad (1)$$

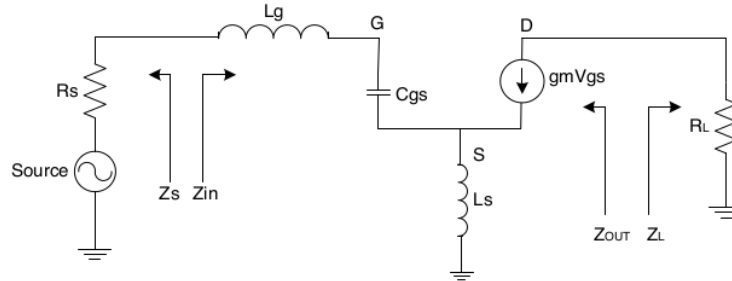


Figure 3. Small signal analysis of bias circuit

A relation of cutoff frequency and transconductance is given by:

$$\frac{g_m}{C_{gs}} L_s = \omega_T L_s \quad \rightarrow \quad \frac{g_m}{C_{gs}} = \omega_T \quad (2)$$

and  $Z_{IN}$  at cutoff frequency is given by:

$$Z_{IN} = j\omega(L_s + L_g) + \frac{1}{j\omega C_{gs}} + \omega_T L_s \quad (3)$$

At a resonant frequency, the  $Z_{IN}$  can be found as follows:

$$\text{Im}(Z_{IN}) = 0 \quad (4)$$

$$\text{Re}(Z_{IN}) = \frac{g_m}{C_{gs}} L_s \quad (5)$$

At matching condition,  $Z_{IN}$  and return loss are given by:

$$Z_{IN} = Z_S^* = R_S = \frac{g_m}{C_{gs}} L_s = \omega_T L_s \quad (6)$$

$$\begin{aligned}
 S_{11} &= \Gamma_{11} = \frac{Z_{IN} - R_S}{Z_{IN} + R_S} \\
 &= \frac{\left( j\omega(L_s + L_g) + \frac{1}{j\omega C_{gs}} + \frac{g_m}{C_{gs}} L_s \right) - \left( \frac{g_m}{C_{gs}} L_s \right)}{\left( j\omega(L_s + L_g) + \frac{1}{j\omega C_{gs}} + \frac{g_m}{C_{gs}} L_s \right) + \left( \frac{g_m}{C_{gs}} L_s \right)} \\
 &= \frac{j\omega(L_s + L_g) + \frac{1}{j\omega C_{gs}}}{j\omega(L_s + L_g) + \frac{1}{j\omega C_{gs}} + 2\frac{g_m}{C_{gs}} L_s} \\
 &= \frac{(j\omega)^2 + \frac{1}{C_{gs}(L_s + L_g)}}{(j\omega)^2 + 2\frac{j\omega}{(L_s + L_g)C_{gs}} + \frac{1}{C_{gs}(L_s + L_g)}}
 \end{aligned} \quad (7)$$

With  $j\omega = \text{sat resonant frequency } (\omega_0)$ , the Equation (7) could be simplified;

$$S_{11} = \frac{s^2 + \omega_0^2}{s^2 + Bs + \omega_0^2} \quad (8)$$

With

$$\omega_o^2 = \frac{1}{C_{gs}(L_s + L_g)}$$

$$B = 2 \frac{1}{(L_s + L_g)} \frac{g_m}{C_{gs}} L_s$$

A bandwidth of LNA could be found at  $S_{11}$  lower than -10 dB, the  $S_{11}$  is formulated by:

$$\begin{aligned} 20 \log |S_{11}| &\leq -10 \text{ dB} \\ \log |S_{11}| &\leq -0.5 \\ |S_{11}| &\leq 3.16 \end{aligned} \quad (9)$$

The upper and lower threshold is followed by:

$$\frac{-B + \sqrt{B^2 + \omega_o^2}}{6} \leq \omega \leq \frac{B + \sqrt{B^2 + \omega_o^2}}{6} \quad (10)$$

## 2.2. Single-section Impedance Transformer (SIT)

Figure 4 shows a single section impedance transformer.

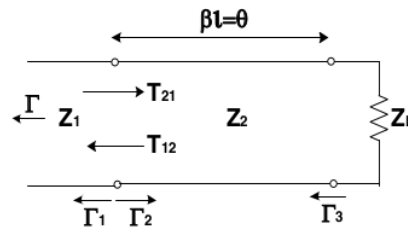


Figure 4. Single-section Impedance Transformer

The partial reflection coefficients  $\Gamma_N$  ( $N=1,2,3$ ) and partial transmission coefficients  $T_N$  ( $N=1,2$ ) are given by:

$$\Gamma_1 = \frac{Z_2 - Z_1}{Z_2 + Z_1} \quad (11)$$

$$\Gamma_2 = -\Gamma_1 \quad (12)$$

$$\Gamma_3 = \frac{Z_L - Z_2}{Z_L + Z_2} \quad (13)$$

$$T_{21} = 1 + \Gamma_1 = \frac{2Z_2}{Z_1 + Z_2} \quad (14)$$

$$T_{12} = 1 + \Gamma_2 = \frac{2Z_1}{Z_1 + Z_2} \quad (15)$$

A total reflection can be calculated as follows:

$$\Gamma = \Gamma_1 + T_{12}T_{21}T_3 e^{-2j\theta} \sum_{n=0}^{\infty} \Gamma_2^n \Gamma_3^n e^{-2j\theta} \quad (16)$$

A geometry series was used for simplifying Equation (16), then the total reflection can be found:

$$\Gamma = \Gamma_1 + \frac{T_{12}T_{21}T_3 e^{-2j\theta}}{1 - \Gamma_2 \Gamma_3 e^{-2j\theta}} \quad (17)$$

### 2.3. Multi-section Impedance Transformer (MIT)

To produce QB-LNA with quad-band impedance matching circuit at IMM and OIM, a multisection impedance transformer (MIT) was used, as shown in Figure 5. MIT has many advantages including low noise, high stability, simple, and easy in fabrication. The  $Z_{iN}$  is given by (18) with  $i = 1, \dots, M$ , propagation constant ( $\beta$ ), and electrical length ( $l_i$ ).

$$Z'_i = Z_i \frac{Z'_{i+1} + jZ_i \tan(\beta l_i)}{Z_i + Z'_{i+1} \tan(\beta l_i)} \quad (18)$$

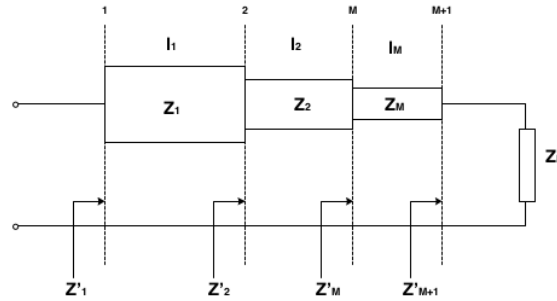


Figure 5. Multisection impedance transformer

with low frequency dispersion and  $\theta(f) = \frac{f}{f_0} \theta_0$ , input impedance ( $Z'_i$ ) is given by:

$$Z'_i(f) = Z_i \frac{Z'_{i+1} + jZ_i \tan\left(\frac{f}{f_0} \theta_0\right)}{Z_i + Z'_{i+1} \tan\left(\frac{f}{f_0} \theta_0\right)} \quad (19)$$

At matching condition, return loss is given by:

$$\left\{ \begin{array}{l} \Gamma\left(\left(\frac{f}{f_0}\right), \theta_0, Z_L(f), Z_1 Z_2 \dots Z_M\right) \Big|_{f=f_1} = 0 \\ \Gamma\left(\left(\frac{f}{f_0}\right), \theta_0, Z_L(f), Z_1 Z_2 \dots Z_M\right) \Big|_{f=f_2} = 0 \\ \vdots \\ \Gamma\left(\left(\frac{f}{f_0}\right), \theta_0, Z_L(f), Z_1 Z_2 \dots Z_M\right) \Big|_{f=f_N} = 0 \end{array} \right. \quad (20)$$

### 3. DESIGN AND SIMULATION

To show the applicability of proposed concept of QB-LNA, a multisection impedance transformer (MIT) was used as shown in Figure 6. The QB-LNA has been designed with frequencies 0.92 GHz, 1.84 GHz, 2.61 GHz, and 3.54 GHz, for GSM900, WCDMA1800, LTE2600, and LTE3500 application respectively. The QB-LNA was designed on FR4 microstrip substrate with  $\epsilon_r = 4.4$ ,  $h = 1.6$  mm, and  $\tan \delta = 0.0265$ . The width and length of transmission line are  $w_1 = 22.4$  mm,  $w_2 = 15.4$  mm,  $w_3 = 6.3$  mm,  $w_4 = 1.6$  mm,  $w_5 = 0.3$  mm,  $w_6 = 2.0$  mm,  $w_7 = 1.0$  mm,  $w_8 = 3.0$  mm,  $w_9 = 1.0$  mm and  $l_1 = 23.8$  mm,  $l_2 = 8.1$  mm,  $l_3 = 12.56$  mm,  $l_4 = 18$  mm,  $l_5 = 21$  mm,  $l_6 = 0.3$  mm,  $l_7 = 0.5$  mm,  $l_8 = 20$  mm,  $l_9 = 20$  mm. The lumped components  $V_{CC} = 5$  V,  $L_1 = 47$  nH (as a RF Choke),  $R_1 = 475 \Omega$ ,  $R_2 = 3$  k $\Omega$ ,  $R_3 = 51 \Omega$ ,  $C_3 = 30$  pF,  $R_S = 50 \Omega$  (as a input termination), and  $R_L = 50 \Omega$  (as a output termination).

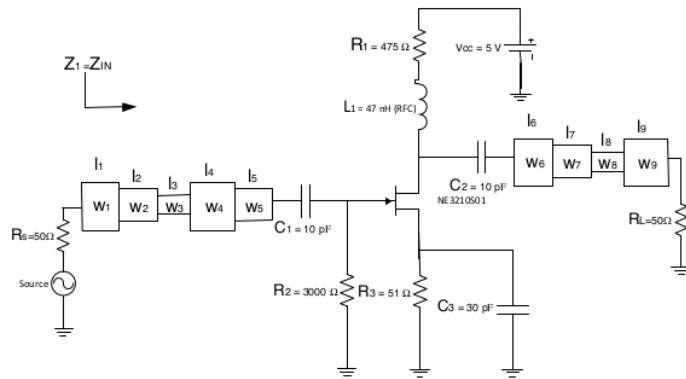


Figure 6. QB-LNA using multisection impedance transformer (MIT)

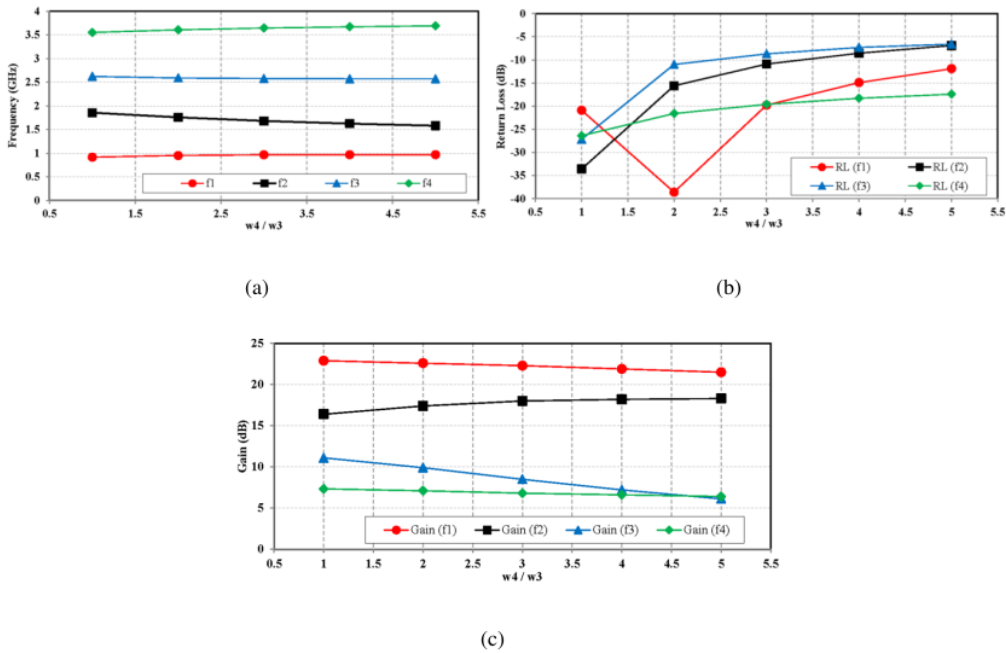


Figure 7. (a) The extracted center frequency with varied  $w_4/w_3$ , (b) the extracted of return loss ( $S_{11}$ ) with varied  $w_4/w_3$ , (c) the extracted of gain ( $S_{21}$ ) with varied  $w_4/w_3$

The extracted center frequency with varied  $w_4/w_3$ , a return loss ( $S_{11}$ ) with varied  $w_4/w_3$ , gain ( $S_{21}$ ) with varied  $w_4/w_3$ , are shown in Figure 7(a), 7(b), and 7(c), respectively. Figure 7(a) shows that the center frequency  $f_1$ ,  $f_3$ , and  $f_4$  are still stable with varied  $w_4/w_3$ . However, a return loss ( $S_{11}$ ) of  $f_2$  has decreased as shown in Figure 7(b). Figure 7(b) shows that the increase of  $w_4/w_3$  would effect to the return loss ( $S_{11}$ ). Figure 7(c) illustrated the extraction of gain ( $S_{21}$ ) with varied  $w_4/w_3$ . It shows that gain ( $S_{21}$ ) of frequency  $f_1$ ,  $f_3$ , and  $f_4$  vary slightly, but a gain at frequency of  $f_2$  falls dramatically. In general, the variation of  $w_4/w_3$  only affects the performances of the second frequency ( $f_2$ ), but it does slightly affect to performances of frequency  $f_1$ ,  $f_3$ , and  $f_4$ .

Figure 8(a) and 8(b) show the extracted return loss ( $S_{11}$ ) and gain ( $S_{21}$ ) with varied power supply ( $V_{CC}$ ). It is useful for demonstrating the consistency performance of QB-LNA. The return loss ( $S_{11}$ ) of frequency  $f_1$ ,  $f_2$ ,  $f_3$ , and  $f_4$  remains constant. However, the value of gain ( $S_{21}$ ) and Noise figure (nf) shifted because a varied of power supply ( $V_{CC}$ ).

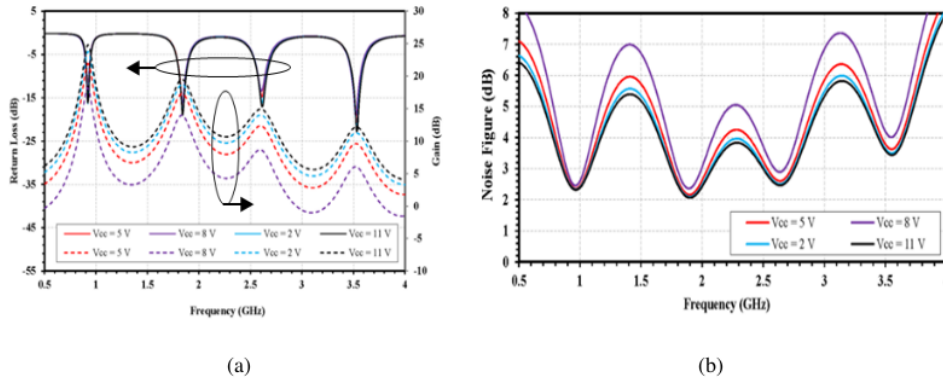


Figure 8. (a) The extracted of return loss ( $S_{11}$ ) and gain ( $S_{21}$ ), (b) Noise figure with varied  $V_{CC}$

Figure 9 (a) shows the extracted return loss ( $S_{11}$ ) and gain ( $S_{21}$ ) with varied  $l_1$ . The chart shows that a return loss ( $S_{11}$ ) and gain ( $S_{21}$ ) of  $f_1$  has not changed. However, the center frequency of  $f_2$ ,  $f_3$ , and  $f_4$  are shifted by varied of  $l_1$ . Figure 9(b) shows the extracted return loss ( $S_{11}$ ) and gain ( $S_{21}$ ) with varied  $w_2$ . The results are similar, a return loss ( $S_{11}$ ) of  $f_1$  has not changed and the center frequency of  $f_2$ ,  $f_3$ , and  $f_4$  are shifted because variation of  $w_2$ .

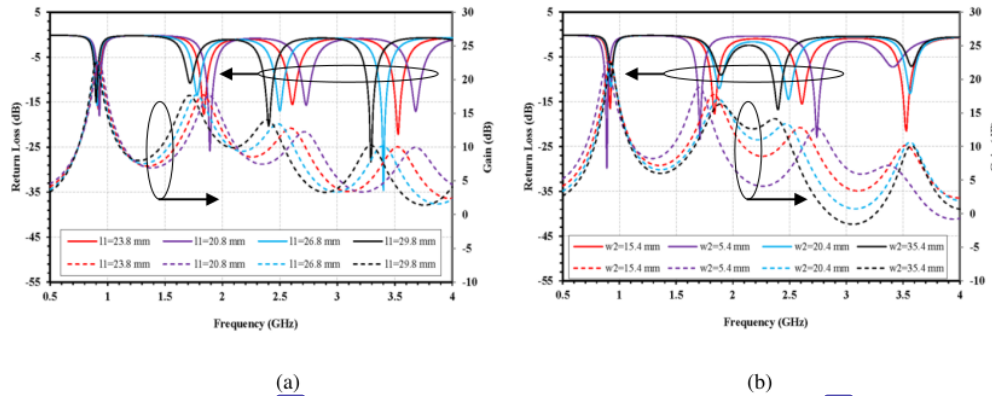


Figure 9. (a) The extracted return loss ( $S_{11}$ ) and gain ( $S_{21}$ ) with varied  $l_1$ . (b) The extracted return loss ( $S_{11}$ ) and gain ( $S_{21}$ ) with varied  $w_2$

#### 4. RESULTS AND ANALYSIS

The QB-LNA was designed on FR4 microstrip substrate with  $\epsilon_r=4.4$ , thickness  $h=1.6$  mm, and  $\tan \delta=0.026$ . The proposed QB-LNA was designed and analyzed by Advanced System Design (ADS). Figure 10 shows the performance of return loss ( $S_{11}$ ) and gain ( $S_{21}$ ) of QB-LNA.

The simulation has shown that QB-LNA achieves gain ( $S_{21}$ ) of 22.91 dB, 16.5 dB, 11.18 dB, and 7.25 dB at 0.92 GHz, 1.84 GHz, 2.61 GHz, and 3.54 GHz, respectively. The QB-LNA obtain return loss ( $S_{11}$ )



of -21.28 dB, -31.87 dB, -28.08 dB, and -30.85 dB at 0.92 GHz, 1.84 GHz, 2.61 GHz, and 3.54 GHz, respectively. Figure 11 shows in the performance of Noise figure (dB) and stability factor (K) of QB-LNA. This QB-LNA achieves a Noise figure (nf) of 2.35 dB, 2.13 dB, 2.56 dB, and 3.55 dB at 0.92 GHz, 1.84 GHz, 2.61 GHz, and 3.54 GHz, respectively. Furthermore, the stability factor of all bands above 1.0 is also depicted in Figure 11.

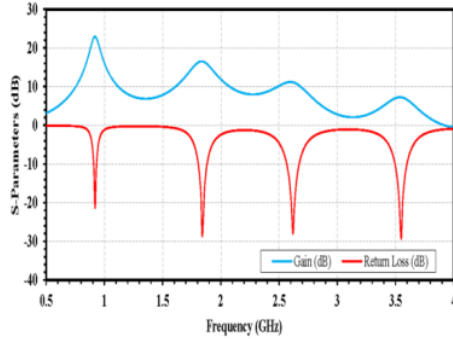


Figure 10. The performance of return loss ( $S_{11}$ ) and gain ( $S_{21}$ ) of QB-LNA

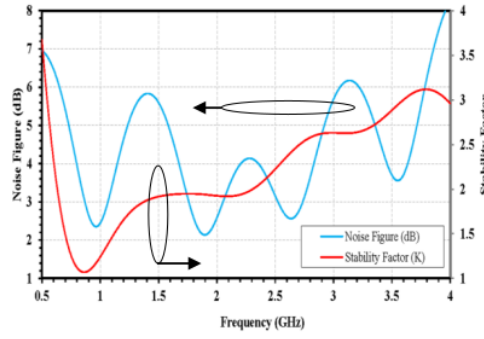


Figure 11. The performance of Noise figure (dB) and stability factor (K) of QB-LNA

This research has shown that the Figure of merit (FoM) of the proposed QB-LNA is higher than another multiband LNA, as shown in Table 1. A FoM is given by [20]

$$FoM [mW^{-1}] = \frac{Gain [abs]}{(NF-1)[abs].P_{DC}[mW]} \quad (21)$$

Table 1. The Figure of merit (FoM) of the proposed QB-LNA

Parameter	Reference						This work			
	[17]		[18]		[19]		Concurrent multiband			
Method	Concurrent multiband		Concurrent multiband		Concurrent multiband		Concurrent multiband			
$f_0$ (GHz)	1.80	2.45	2.40	5.20	2.20	4.60	0.92	1.84	2.61	3.54
$S_{21}$ (dB)	9.20	12.00	15.00	6.50	10.80	8.80	22.91	16.5	11.18	7.25
NF (dB)	5.70	6.40	2.50	2.40	3.53	2.52	2.35	2.13	2.56	3.55
$P_{DC}$ (mW)	8.00		10		7.76		5.01			
Gain/ $P_{DC}$ (dB/mW)	1.15	1.50	1.50	0.65	1.38	1.13	4.51	3.29	2.23	1.44
FoM ( $mW^{-1}$ )	0.38	0.59	4.07	0.61	1.21	1.24	3.34	2.91	1.44	0.56

5. CONCLUSION

A multisection impedance transformer was used to produce QB-LNA. The QB-LNA has been designed with frequencies 0.92 GHz, 1.84 GHz, 2.61 GHz, and 3.54 GHz, for GSM900, WCDMA1800, LTE2600, and LTE3500 application respectively. The QB-LNA was designed on an FR4 microstrip substrate with  $\epsilon_r = 4.4$ , thickness  $h = 1.6$  mm, and  $\tan \delta = 0.026$ . The proposed QB-LNA was designed and analyzed by Advanced System Design (ADS). The simulation has shown that QB-LNA achieves gain ( $S_{21}$ ) of 22.91 dB, 16.5 dB, 11.18 dB, and 7.25 dB at 0.92 GHz, 1.84 GHz, 2.61 GHz, and 3.54 GHz, respectively. The QB-LNA obtain return loss ( $S_{11}$ ) of -21.28 dB, -31.87 dB, -28.08 dB, and -30.85 dB at 0.92 GHz, 1.84 GHz, 2.61 GHz, and 3.54 GHz, respectively. It also achieves a Noise figure (nf) of 2.35 dB, 2.13 dB, 2.56 dB, and 3.55 dB at 0.92 GHz, 1.84 GHz, 2.61 GHz, and 3.54 GHz, respectively. This research also has shown that the Figure of merit (FoM) of the proposed QB-LNA is higher than that of another multiband LNA.

## ACKNOWLEDGEMENTS

The work was supported by the Ministry of Research, Technology and Higher Education, Indonesian Government as a part of Penelitian Kerjasama Perguruan Tinggi (Grant No. 267/UN43.9/PL/K/2016).

## REFERENCES

- [1] S. Shreyas, et al., "A Multiband Transceiver System in 45-nm CMOS for Extended Data Rate through Notch Wireline Channels", *IEEE Transactions on Circuits and Systems II: Express Briefs*, vol. 58, pp. 545-549, 2011.
- [2] G. David, et al., "A Fully Integrated Multiband MIMO WLAN Transceiver RFIC", *IEEE Journal of Solid State Circuit*, vol. 50, pp. 1629-1641, August 2005.
- [3] Y. Hemn, et al., "Small Multi-Band Rectangular Dielectric Resonator Antennas for Personal Communication Devices", *International Journal of Electrical and Computer Engineering (IJECE)*, vol. 4, pp. 1-6, February 2014.
- [4] C. Arnau Cabedo, et al., "Multiband Handset Antenna Combining a PIFA, Slots, and Ground Plane Modes," *IEEE Transactions on Antennas and Propagation*, vol.57, pp. 2526 -2533, September. 2009.
- [5] L. Geunyoung Lee, et al., "A Multiband Power Amplifier With a Reconfigurable Output-Matching Network for 10-MHz BW LTE Mobile Phone Applications", *IEEE Transactions on Circuits and Systems II: Express Briefs*, vol. 62, pp. 558 – 562, 2015.
- [6] A. Fukuda, et al., "Novel Multiband Matching Scheme for Highly Efficient Power Amplifier", in Proc. 39th EuMC, Sept.2009, pp. 1086-1089.
- [7] Kim V., "A Resistively Degenerated Wide-Band Passive Mixer with Low Noise figure and +60dBm IIP2 in 0.18um CMOS", *IEEE RFIC Symposium*, Jun 2008, pp. 185-188.
- [8] W. Gunawan, et al., "Design of Triple-band Bandpass Filter using Cascade Tri-section Stepped Impedance Resonators", *Journal of ICT Research and Applications*, vol. 10, pp. 43-56, 2016.
- [9] C. Quendo, et al., "Planar Tri-band Filter based on Dual Behavior Resonator", in European Microwave Conference, Oct 2005, vol.1, pp. 269-272.
- [10] W. Gunawan, et al., "Multiband Bandpass Filter (BPF) based on Folded Dual Crossed Open Stub", *International Journal of Technology*, vol. 5, pp. 32-39, 2014.
- [11] F. Teguh, et al., "Multiband RF low noise Amplifier (LNA) base on Multi Section Impedance Transformer for Multi Frequency Application", *International Journal of Applied Engineering Research*, vol. 11, pp. 3478-3483, 2016.
- [12] W. Gunawan, F.Teguh, "Concurrent Multiband low noise Amplifier with Multisection Impedance Transformer", in Asia Pacific Microwave Conference Proceedings (APMC). 2012. pp. 914-916.
- [13] Kamil P, et al., "Design and Analysis High Gain PHEMT LNA for Wireless Application at 5.8 GHz", *International Journal of Electrical and Computer Engineering (IJECE)*, vol. 5, pp. 611-620, 2015.
- [14] A. Ibrahim, et al., "Low Noise Amplifier at 5.8GHz with Cascode and Cascaded Techniques Using T-Matching Network for Wireless Applications", *International Journal of Electrical and Computer Engineering (IJECE)*, vol.1, pp. 1-8. September 2011.
- [15] Lv. Juncal, et al., "Wideband low noise amplifier using a novel equalization," *Progress in Electromagnetic Research Symposium (PIERS)*, 2016, pp. Pages: 609 – 614.
- [16] S. Rahul, et al., "A 3/5 GHz reconfigurable CMOS low-noise amplifier integrated with a four-terminal phase-change RF switch," *IEEE International Electron Devices Meeting (IEDM)*, 2015, pp. 25.3.1-25.3.4.
- [17] H.-S. Jhon, et al., "8mW 1,7/2,4 GHz dual-band CMOS low-noise amplifier for ISM-band application," *IEEE Electronics Letters*, vol. 44, pp. 1353-1354, Nov. 2008.
- [18] E. Kargaran, Madadi B., "Design of a Novel dual-band Concurrent CMOS LNA with Current Reuse Topology", Int. Conf. on Networking and Information Technology, Jun. 2010, pp. 386-388.
- [19] C.-L. Hsiao, Y.-L. Huang, "A low Supply Voltage Dualband low noise Amplifier Design", 13th IEEE Int. Symp. on Consumer Electronics, May 2009, pp. 339-341.
- [20] H. Okazaki, et al., "Reconfigurable Amplifier Towards Enhanced Selectivity of future multi-band Mobile Terminals", International Microwave Workshop Series on RF Front-ends for Software Defined and Cognitive Radio Solutions, 2010, pp. 1-4.

## BIOGRAPHIES OF AUTHORS



**Teguh Firmansyah** was born in Subang, Indonesia. He received B.Eng (S.T) degree in electrical engineering and M.Eng (M.T) degree in telecommunication engineering from Department of Electrical Engineering Universitas Indonesia in 2010 and 2012, respectively. In 2012, he joined the Department of Electrical Engineering Universitas Sultan Ageng Tirtayasa as a researcher and lecturer. He has authored or coauthored over 20 papers published in refereed journals and conferences. He holds two patents for wideband antenna and multiband antenna. His research interests include microstrip antenna and microwave circuit for various applications.  
Email : teguhfirmansyah@untirta.ac.id



**Anggoro Suryo Pramudyo** was born in 1984. He received BCS (S.Kom.) from Universitas Bina Darma in 2006 and MCS (M.Kom) from Universitas Gadjah Mada in 2006. He is interested in Artificial Intelligence included Computational Intelligence. Since 2010, he had become a lecturer and researcher at Departement of Electrical Engineering Universitas Sultan Ageng Tirtayasa. Currently his researches are about intelligent designer for antenna.  
Email : pramudyo@untirta.ac.id



**Siswo Wardoyo** received the Bachelor Engineering (S.T.) in Electric Engineering from Diponegoro University of Indonesia, in 2002. Master of Engineering (M.Eng) degree, received from Electrical Engineering Department, Gadjah Mada University in 2008. Currently, He lecturer at Electrical Engineering Department, University of Sultan Ageng Tirtayasa. His reseach interests are My research interest are in TVET, ANN, Image Processing, Computer Vision, and Control.  
Email : siswo@untirta.ac.id



**Romi Wiryadinata** received the Bachelor Engineering (S.T.) in electrical engineering from Islamic University of Indonesia, in 2005. Master of Engineering (M.T.) degree, was received from Electrical Engineering Dept., Gadjah Mada University in 2007. He received Doctor (Dr.) degree from Electrical Engineering Dept., Gadjah Mada University in 2015. Currently, he is a lecturer at Electrical Engineering Dept., University of Sultan Ageng Tirtayasa. His research interests are in artificial neural network, sensor technology, guidance-control and navigation, and robotic.  
Email : wiryadinata@untirta.ac.id



**Alimuddin** is Associate Prof. Dr. specialization Control, Computer, Power Stability System and Energy Conversion, Telecommunication, SMART ICT and Lecture and Researcher at the Department of Electrical Engineering on Faculty of Engineering, Sultan Ageng Tirtayasa University (UNTIRTA), Banten, Indonesia, Master Engineering Informatics and Magister Information Management Graduate Binus University (BINUS) Jakarta, Master electrical engineering, Graduate Mercubuana University (UMB) Jakarta, Master computer science graduate STIMIK Nusa Mandiri Jakarta, He received B.S.and Master Management from Indonesia Moeslem University and Master Engineering for Electrical Engineering from Hasanuddin University., Indonesia in 1999, 2002 and 2003 respectively. He graduated a Doctor (PhD) Degree at the Bio-Informatics and Control, Instrumentation Engineering, Conversion Energy Bogor Agricultural University,Indonesia and Research Collaboration University of Tsukuba, Japan, 2009, Program research in Grant in sponsored by Government of Indonesia (the Ministry of Education and the State Ministry of Indonesia)., He has more than 11 years of experience in teaching at several Universities. His research interests include Control System, Telecommunication, ICT, Model and Simulation, Artificial Intelligent and its application. optimization and information system, Power Stability System and Energy Conversion System, Information Technology and Computer, Distribution System, Power System Control and optimization, Transportation. He has published more than ten papers in national Journal. He has also presented more than twelve research articles in national and international conferences. He is currently with few projects sponsored by government of Indonesia (the Ministry of Education and the State Ministry).  
Email : alimudy@yahoo.com

# Journal IJECE (QB-LNA) Q2

---

## ORIGINALITY REPORT

---

10%

SIMILARITY INDEX

6%

INTERNET SOURCES

6%

PUBLICATIONS

0%

STUDENT PAPERS

---

## PRIMARY SOURCES

---

1

[bradscholars.brad.ac.uk](http://bradscholars.brad.ac.uk)

Internet Source

1%

---

2

[www.ijens.org](http://www.ijens.org)

Internet Source

1%

---

3

Ali Reza Dehqan. "Design of low voltage low power dual-band LNA with forward body biasing technique", 2011 18th IEEE International Conference on Electronics Circuits and Systems, 12/2011

Publication

1%

---

4

Cheng Cao, Xiuping Li, Yubing Li, Hongjie Zeng, Zhe Wang, Umair Yasir. "A Triple-Cascode X-Band LNA Design with Modified Post-Distortion Network", Electronics, 2021

Publication

1%

---

5

[doaj.org](http://doaj.org)

Internet Source

1%

---

6

[www.slideshare.net](http://www.slideshare.net)

Internet Source

1%

---

7	Stanisław Młynarski, Maciej Szkoda, Grzegorz Kaczor. "Assessment of Durability of the Rail Vehicle Components with the Use of Degradation Analysis Method", Journal of KONBiN, 2018 Publication	1 %
8	<a href="http://www.iaescore.com">www.iaescore.com</a> Internet Source	1 %
9	<a href="http://www.repo.uni-hannover.de">www.repo.uni-hannover.de</a> Internet Source	1 %
10	<a href="http://www.coursehero.com">www.coursehero.com</a> Internet Source	<1 %
11	Deepali Pathak, SriHarsha Vardhan, Aravinth Kumar, Ashudeb Dutta. "Reconfigurable Concurrent Dual-Band Low Noise Amplifier with Dynamic Output Load Network for Software Defined Radio", 2020 IEEE International Symposium on Circuits and Systems (ISCAS), 2020 Publication	<1 %
12	Adhistya Erna Permanasari. "Forecasting of salmonellosis incidence in human using Artificial Neural Network (ANN)", 2010 The 2nd International Conference on Computer and Automation Engineering (ICCAE), 02/2010 Publication	<1 %

13

Internet Source

<1 %

14

[mangobar.files.wordpress.com](http://mangobar.files.wordpress.com)

Internet Source

<1 %

15

[pdfs.semanticscholar.org](http://pdfs.semanticscholar.org)

Internet Source

<1 %

16

Richard Chi-Hsi Li. "RF Circuit Design", Wiley, 2008

Publication

<1 %

17

Y.S. Wang, L.-H. Lu. "5.7 GHz low-power variable-gain LNA in 0.18 [micro sign]m CMOS", Electronics Letters, 2005

Publication

<1 %

18

[stars.library.ucf.edu](http://stars.library.ucf.edu)

Internet Source

<1 %

19

"Single Stage 180nm CMOS Low Noise Amplifier Topologies and Optimization Algorithms for S Band Frequency", International Journal of Recent Technology and Engineering, 2019

Publication

<1 %

Exclude quotes  On

Exclude matches  < 5 words

Exclude bibliography  On