



Teguh Firmansyah <teguhfirmansyah@untirta.ac.id>

Concurrent quad-band low noise amplifier (QB-LNA) using multisection impedance transformer

1 pesan

Tole Sutikno <ijece@iaesjournal.com>

28 April 2017 pukul 22.35

Balas Ke: Teguh Firmansyah <teguhfirmansyah@untirta.ac.id>

Kepada: "Assoc. Prof. Dr. Angela Amphawan" <angela@uum.edu.my>, "Dr. Renjie Huang" <renjie.huang@email.wsu.edu>, "Assoc. Prof. Dr. Jaime Lloret Mauri" <jlloret@dcom.upv.es>, "Prof. Dr. Sayed M. El-Rabaie" <elsayedelrabaie@gmail.com>, "Prof. Dr. Geetam Singh Tomar" <gstomar@ieee.org>

Dear Editor,

The following is attached a revision for paper ID 15299.

Best regards

International Journal of Electrical and Computer Engineering
<http://iaesjournal.com/online/index.php/IJECE>

2 lampiran

**15299-30298-1-RV (1).docx**

1389K

**15299-30298-1-RV (1).pdf**

1192K



Teguh Firmansyah <teguhfirmansyah@untirta.ac.id>

[IJECE] Submission Acknowledgement

1 pesan

Tole Sutikno <ijece@iaesjournal.com>

26 Maret 2017 pukul 06.04

Kepada: Teguh Firmansyah <teguhfirmansyah@untirta.ac.id>

Dear Teguh Firmansyah,

Thank you for submitting the manuscript, "Concurrent quad-band low noise amplifier (QB-LNA) using multisection impedance transformer" to International Journal of Electrical and Computer Engineering (IJECE). With the online journal management system that we are using, you will be able to track its progress through the editorial process by logging in to the journal web site:

Manuscript URL:

<http://iaesjournal.com/online/index.php/IJECE/author/submission/15299>

Username: teguhfirmansyah

If you have any questions, please contact us. Please refer to your paper ID whenever you communicate with our Editorial Office in the future. Your paper ID is latest number at Manuscript URL.

Thank you for considering this journal as a venue for your work.

Best Regards,

Tole Sutikno

International Journal of Electrical and Computer Engineering (IJECE)

Our event in 2017

Dear Researchers,

2017 4th International Conference on Electrical Engineering, Computer Science and Informatics (EECSI 2017) will be held on September 19-21, 2017 in Yogyakarta, Indonesia. This conference is hosted by Universitas Ahmad Dahlan and is jointly organized with Universitas Gadjah Mada, Universitas Diponegoro, Universitas Sriwijaya, Universitas Islam Sultan Agung, Universitas Muhammadiyah Malang, Universitas Budi Luhur and IAES Indonesia. The Conference is aimed to bring researchers, academicians, scientists, students, engineers and practitioners together to participate and present their latest research finding, developments and applications related to the various aspects of electrical, electronics, power electronics, instrumentation, control, robotics, computer & telecommunication engineering, signal, image & video processing, soft computing, computer science and informatics.

The EECSI 2017 has been approved by IEEE for Technical co-sponsorship with conference record number #41583

(https://www.ieee.org/conferences_events/conferences/conferencedetails/index.html?Conf_ID=41583).

All accepted, registered and presented papers will be submitted to IEEE Xplore® Digital Library. All uploaded papers in IEEE Xplore will be normally included in Scopus SciVerse Database.

Paper Submission Link: <https://edas.info/index.php?c=23564>

Important Dates

Papers Submission Deadline : April 15, 2017

Final Acceptance/ Rejection Notification : June 15, 2017

Camera Ready Submission : July 30, 2017

Registration Ends : July 30, 2017

Extended versions of the selected papers

The excellent accepted papers after extension and modification will be published in SCOPUS indexed journals.

TELKOMNIKA Telecommunication Computing Electronics and Control, ISSN: 1693-6930

International Journal of Power Electronics and Drive Systems, ISSN: 2088-8694

International Journal of Electrical and Computer Engineering, ISSN: 2088-8708

Journal of Electrical Systems, ISSN 1112-5209

For further information, please get take a look at: <http://eecsi.org/2017>

Kindly forward this email to other interested parties.

Best Regards,
Assoc. Prof. Dr. Tole Sutikno
General Chair, EECSI 2017

International Journal of Electrical and Computer Engineering
<http://iaesjournal.com/online/index.php/IJECE>

Concurrent Quad-band Low Noise Amplifier (QB-LNA) using Multisection Impedance Transformer

Teguh Firmansyah, Anggoro Suryo Pramudyo, Siswo Wardoyo, Romi Wiryadinata, Alimuddin

Department of Electrical Engineering, University of Sultan Ageng Tirtayasa, Indonesia

Article Info

Article history:

Received Feb 12, 2017

Revised Apr 28, 2017

Accepted Apr 12, 2017

Keyword:

Gain

Impedance transformer

Low noise amplifier

Noise figure

ABSTRACT

A quad-band low noise amplifier (QB-LNA) based on multisection impedance transformer designed and evaluated in this research. As a novelty, a multisection impedance transformer was used to produce QB-LNA. A multisection impedance transformer is used as input and output impedance matching because it has higher stability, large Q factor, and low noise than lumped component. The QB-LNA was designed on FR4 microstrip substrate with $\epsilon_r=4.4$, thickness $h=1.6$ mm, and $\tan \delta=0.026$. The proposed QB-LNA was designed and analyzed by Advanced Design System (ADS). The simulation has shown that QB-LNA achieves gain (S_{21}) of 22.91 dB, 16.5 dB, 11.18 dB, and 7.25 dB at 0.92 GHz, 1.84 GHz, 2.61 GHz, and 3.54 GHz, respectively. The QB-LNA obtains return loss (S_{11}) of -21.28 dB, -31.87 dB, -28.08 dB, and -30.85 dB at 0.92 GHz, 1.84 GHz, 2.61 GHz, and 3.54 GHz, respectively. It also achieves a Noise figure (nf) of 2.35 dB, 2.13 dB, 2.56 dB, and 3.55 dB at 0.92 GHz, 1.84 GHz, 2.61 GHz, and 3.54 GHz, respectively. This research also has shown that the Figure of merit (FoM) of the proposed QB-LNA is higher than that of another multiband LNA.

Copyright © 2017 Institute of Advanced Engineering and Science.

All rights reserved.

Corresponding Author:

Teguh Firmansyah,
Departement of Electrical Engineering,
University of Sultan Ageng Tirtayasa,
Jl. Jenderal Sudirman. Km. 3. Cilegon. Banten. 42435. Indonesia.
Email: teguhfirmansyah@untirta.ac.id

1. INTRODUCTION

High demand for various types of wireless communications, encourage the research and development of multiband transceiver [1]. The multiband transceiver accommodate multiple types of wireless technologies simultaneously, making it cheaper, more efficient, and compact [2]. A subsystem of multiband transceiver consists of a multiband antenna (MA) [3], [4], a multiband power amplifier (MPA) [5], [6], a multiband mixer (MM) [7], a multiband band-pass filter (MBPF) [8-10] and multiband low noise amplifier (MLNA) [11-13]. A low noise amplifier (LNA) is necessary to amplify a signal without increasing the noise and interference at several frequencies simultaneously [14].

There are several method frequently used for MLNA design such as; wideband matching [15], switch method [16], and concurrent multiband [17-19]. The wideband method can produce LNA with wide frequency operating. However, this method has drawbacks such as high interference signal, because the unneeded signal is also strengthened. Meanwhile, switch method has the advantage of low interference but a switch-LNA works optimally at a single frequency. In addition, the switch method also requires additional switch with a good performance. A concurrent method could produce LNA with low interference and good performance at multiple frequencies simultaneously. The employment of concurrent multiband can be done by using lumped components as input and output matching impedances, but it makes the design of MLNA be more complex.

As novelty, a concurrent quad-band low noise amplifier (QB-LNA) using multisection impedance transformer was proposed in this paper. A multisection impedance transformer (MIT) was used to produce a

multiband matching circuit. MIT has many advantages including low noise, high stability, simple, and easy in fabrication. The QB-LNA has frequencies 0.92 GHz, 1.84 GHz, 2.61 GHz, and 3.54 GHz, for GSM900, WCDMA1800, LTE2600, and LTE3500 application respectively. The QB-LNA was designed on FR4 microstrip substrate with $\epsilon_r = 4.4$, $h = 1.6$ mm, and $\tan \delta = 0.0265$. The QB-LNA was simulated by using Schematic Simulation Advanced System Design (ADS). This research also was shown that the Figure of merit (FoM) of the proposed QB-LNA is higher than that of another multiband LNA.

2. THE PROPOSED METHOD

A subsystem of QB-LNA consist of bias transistor, input impedance maching (IIM), and output impedance matching (OIM) [12], [14] as shown in Figure 1. The FET NE321S01 with a low power source of bias $V_{CC} = 5$ V was used. A multi-section impedance transformer (MIT) as IIM and OIM was proposed in this research to produce four-band LNAAs shown in Figure 2.

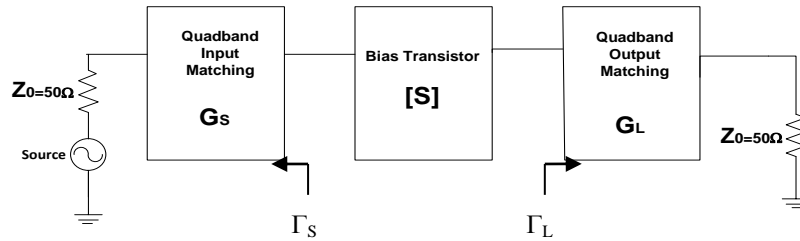


Figure 1. A subsystem of multiband LNA

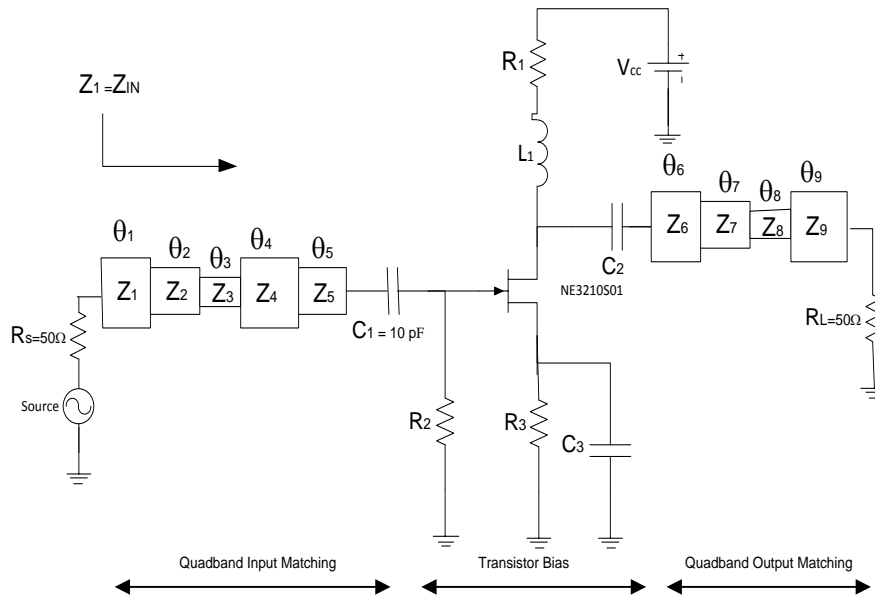


Figure 2. A multi-section impedance transformer (MIT) as IIM and OIM

with termination port (R_S and R_L), bias circuit resistance R_N ($N=1,2,3$), power supply (V_{CC}), coupling capacitor C_N ($N=1,2,3$), RF choke (L_1), the impedance of transmission line Z_N ($N=1,2,3,4,5,6,7,8,9$), electrical length θ_N ($N=1,2,3,4,5,6,7,8,9$), and input impedance Z_{IN} .

2.1. Small Signal and Resonant Conditions Analysis

Figure 3 shows a small signal analysis of transistor bias circuit. The input impedance Z_{IN} is given by Equation (1) with transconductance (g_m), source inductance (L_S), gate inductance (L_G), and gate-source capacitance (C_{GS}).

$$\begin{aligned}
 Z_{IN} &= j\omega L_s + j\omega L_g + \frac{1}{j\omega C_{gs}} + \frac{g_m}{C_{gs}} L_s \\
 &= j\omega(L_s + L_g) + \frac{1}{j\omega C_{gs}} + \frac{g_m}{C_{gs}} L_s
 \end{aligned} \tag{1}$$

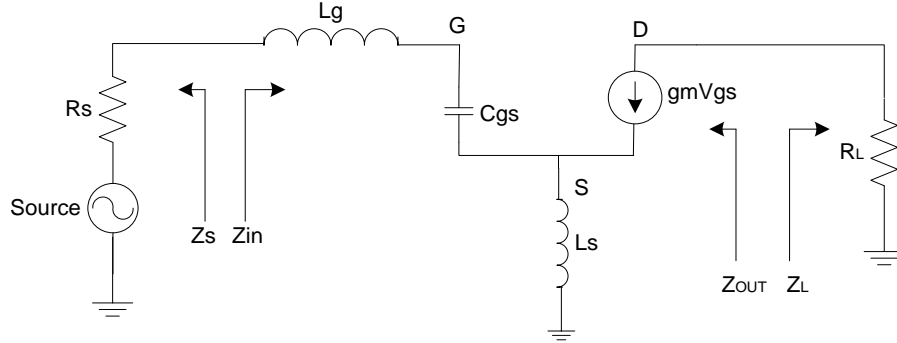


Figure 3. Small signal analysis of bias circuit

A relation of cutoff frequency and transconductance is given by:

$$\frac{g_m}{C_{gs}} L_s = \omega_T L_s \quad \rightarrow \quad \frac{g_m}{C_{gs}} = \omega_T \tag{2}$$

and Z_{IN} at cutoff frequency is given by:

$$Z_{IN} = j\omega(L_s + L_g) + \frac{1}{j\omega C_{gs}} + \omega_T L_s \tag{3}$$

At a resonant frequency, the Z_{IN} can be found as follows:

$$\text{Im}(Z_{IN}) = 0 \tag{4}$$

$$\text{Re}(Z_{IN}) = \frac{g_m}{C_{gs}} L_s \tag{5}$$

At matching condition, Z_{IN} and return loss are given by:

$$Z_{IN} = Z_S^* = R_S = \frac{g_m}{C_{gs}} L_s = \omega_T L_s \tag{6}$$

$$\begin{aligned}
 S_{11} &= \Gamma_{11} = \frac{Z_{IN} - R_S}{Z_{IN} + R_S} \\
 &= \frac{\left(j\omega(L_s + L_g) + \frac{1}{j\omega C_{gs}} + \frac{g_m}{C_{gs}} L_s \right) - \left(\frac{g_m}{C_{gs}} L_s \right)}{\left(j\omega(L_s + L_g) + \frac{1}{j\omega C_{gs}} + \frac{g_m}{C_{gs}} L_s \right) + \left(\frac{g_m}{C_{gs}} L_s \right)} \\
 &= \frac{j\omega(L_s + L_g) + \frac{1}{j\omega C_{gs}}}{j\omega(L_s + L_g) + \frac{1}{j\omega C_{gs}} + 2\frac{g_m}{C_{gs}} L_s} \\
 &= \frac{(j\omega)^2 + \frac{1}{C_{gs}(L_s + L_g)}}{(j\omega)^2 + 2\frac{j\omega}{(L_s + L_g)C_{gs}} + \frac{1}{C_{gs}(L_s + L_g)}}
 \end{aligned} \tag{7}$$

With $j\omega = \text{sat resonant frequency } (\omega_0)$, the Equation (7) could be simplified;

$$S_{11} = \frac{s^2 + \omega_0^2}{s^2 + Bs + \omega_0^2} \tag{8}$$

With

$$\omega_o^2 = \frac{1}{C_{gs}(L_s + L_g)}$$

$$B = 2 \frac{1}{(L_s + L_g) C_{gs}} g_m L_s$$

A bandwidth of LNA could be found at S_{11} lower than -10 dB, the S_{11} is formulated by:

$$\begin{aligned} 20 \log |S_{11}| &\leq -10 \text{ dB} \\ \log |S_{11}| &\leq -0.5 \\ |S_{11}| &\leq 3.16 \end{aligned} \tag{9}$$

The upper and lower threshold is followed by:

$$\frac{-B + \sqrt{B^2 + \omega_o^2}}{6} \leq \omega \leq \frac{B + \sqrt{B^2 + \omega_o^2}}{6} \tag{10}$$

2.2. Single-section Impedance Transformer (SIT)

Figure 4 shows a single section impedance transformer.

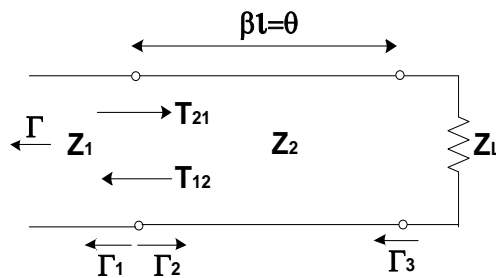


Figure 4. Single-section Impedance Transformer

The partial reflection coefficients Γ_N ($N=1,2,3$) and partial transmission coefficients T_N ($N=1,2$) are given by:

$$\Gamma_1 = \frac{Z_2 - Z_1}{Z_2 + Z_1} \tag{11}$$

$$\Gamma_2 = -\Gamma_1 \tag{12}$$

$$\Gamma_3 = \frac{Z_L - Z_2}{Z_L + Z_2} \tag{13}$$

$$T_{21} = 1 + \Gamma_1 = \frac{2Z_2}{Z_1 + Z_2} \tag{14}$$

$$T_{12} = 1 + \Gamma_2 = \frac{2Z_1}{Z_1 + Z_2} \tag{15}$$

A total reflection can be calculated as follows:

$$\Gamma = \Gamma_1 + T_{12} T_{21} T_3 e^{-2j\theta} \sum_{n=0}^{\infty} \Gamma_2^n \Gamma_3^n e^{-2jn\theta} \tag{16}$$

A geometry series was used for simplifying Equation (16), then the total reflection can be found:

$$\Gamma = \Gamma_1 + \frac{T_{12} T_{21} T_3 e^{-2j\theta}}{1 - \Gamma_2 \Gamma_3 e^{-2j\theta}} \tag{17}$$

2.3. Multi-section Impedance Transformer (MIT)

To produce QB-LNA with quad-band impedance matching circuit at IMM and OIM, a multisection impedance transformer (MIT) was used, as shown in Figure 5. MIT has many advantages including low noise, high stability, simple, and easy in fabrication. The Z_{IN} is given by (18) with $i = 1, \dots, M$, propagation constant (β), and electrical length (l_i).

$$Z'_i = Z_i \frac{Z'_{i+1} + jZ_i \tan(\beta l_i)}{Z_i + Z'_{i+1} \tan(\beta l_i)} \quad (18)$$

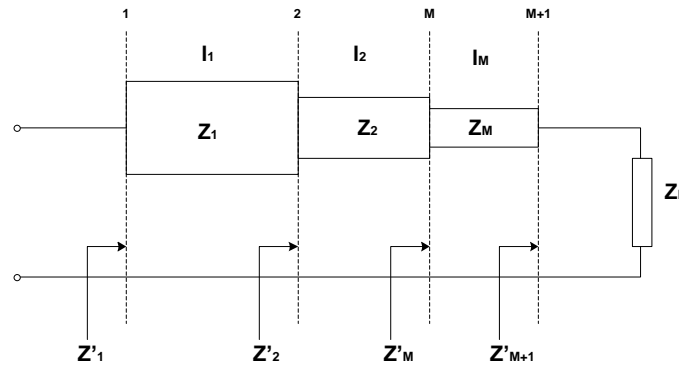


Figure 5. Multisection impedance transformer

with low frequency dispersion and $\theta(f) = \frac{f}{f_0} \theta_0$, input impedance (Z'_i) is given by:

$$Z'_i(f) = Z_i \frac{Z'_{i+1} + jZ_i \tan\left(\frac{f}{f_0} \theta_0\right)}{Z_i + Z'_{i+1} \tan\left(\frac{f}{f_0} \theta_0\right)} \quad (19)$$

At matching condition, return loss is given by:

$$\left\{ \begin{array}{l} \Gamma\left(\left(\frac{f}{f_0}\right), \theta_0, Z_L(f), Z_1 Z_2 \dots Z_M\right) \Big|_{f=f_1} = 0 \\ \Gamma\left(\left(\frac{f}{f_0}\right), \theta_0, Z_L(f), Z_1 Z_2 \dots Z_M\right) \Big|_{f=f_2} = 0 \\ \vdots \\ \Gamma\left(\left(\frac{f}{f_0}\right), \theta_0, Z_L(f), Z_1 Z_2 \dots Z_M\right) \Big|_{f=f_N} = 0 \end{array} \right. \quad (20)$$

3. DESIGN AND SIMULATION

To show the applicability of proposed concept of QB-LNA, a multisection impedance transformer (MIT) was used as shown in Figure 6. The QB-LNA has been designed with frequencies 0.92 GHz, 1.84 GHz, 2.61 GHz, and 3.54 GHz, for GSM900, WCDMA1800, LTE2600, and LTE3500 application respectively. The QB-LNA was designed on FR4 microstrip substrate with $\epsilon_r = 4.4$, $h = 1.6$ mm, and $\tan \delta = 0.0265$. The width and length of transmission line are $w_1 = 22.4$ mm, $w_2 = 15.4$ mm, $w_3 = 6.3$ mm, $w_4 = 1.6$ mm, $w_5 = 0.3$ mm, $w_6 = 2.0$ mm, $w_7 = 1.0$ mm, $w_8 = 3.0$ mm, $w_9 = 1.0$ mm and $l_1 = 23.8$ mm, $l_2 = 8.1$ mm, $l_3 = 12.56$ mm, $l_4 = 18$ mm, $l_5 = 21$ mm, $l_6 = 0.3$ mm, $l_7 = 0.5$ mm, $l_8 = 20$ mm, $l_9 = 20$ mm. The lumped components $V_{CC} = 5$ V, $L_1 = 47$ nH (as a RF Choke), $R_1 = 475 \Omega$, $R_2 = 3$ k Ω , $R_3 = 51 \Omega$, $C_3 = 30$ pF, $R_S = 50 \Omega$ (as an input termination), and $R_L = 50 \Omega$ (as an output termination).

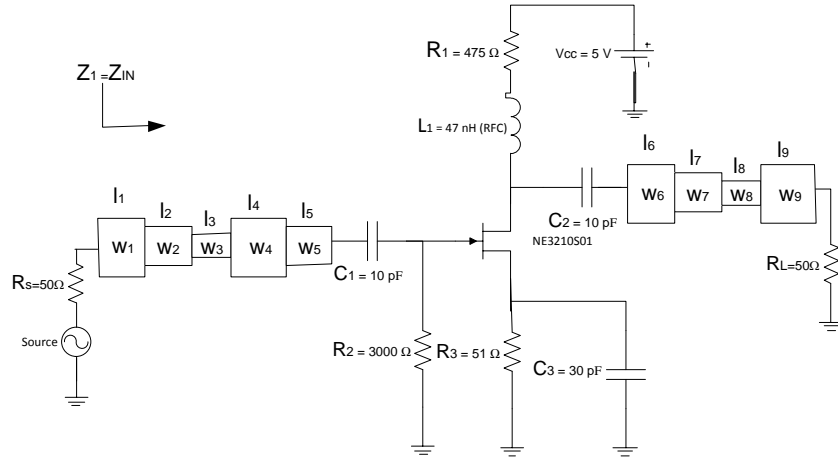


Figure 6. QB-LNA using multisection impedance transformer (MIT)

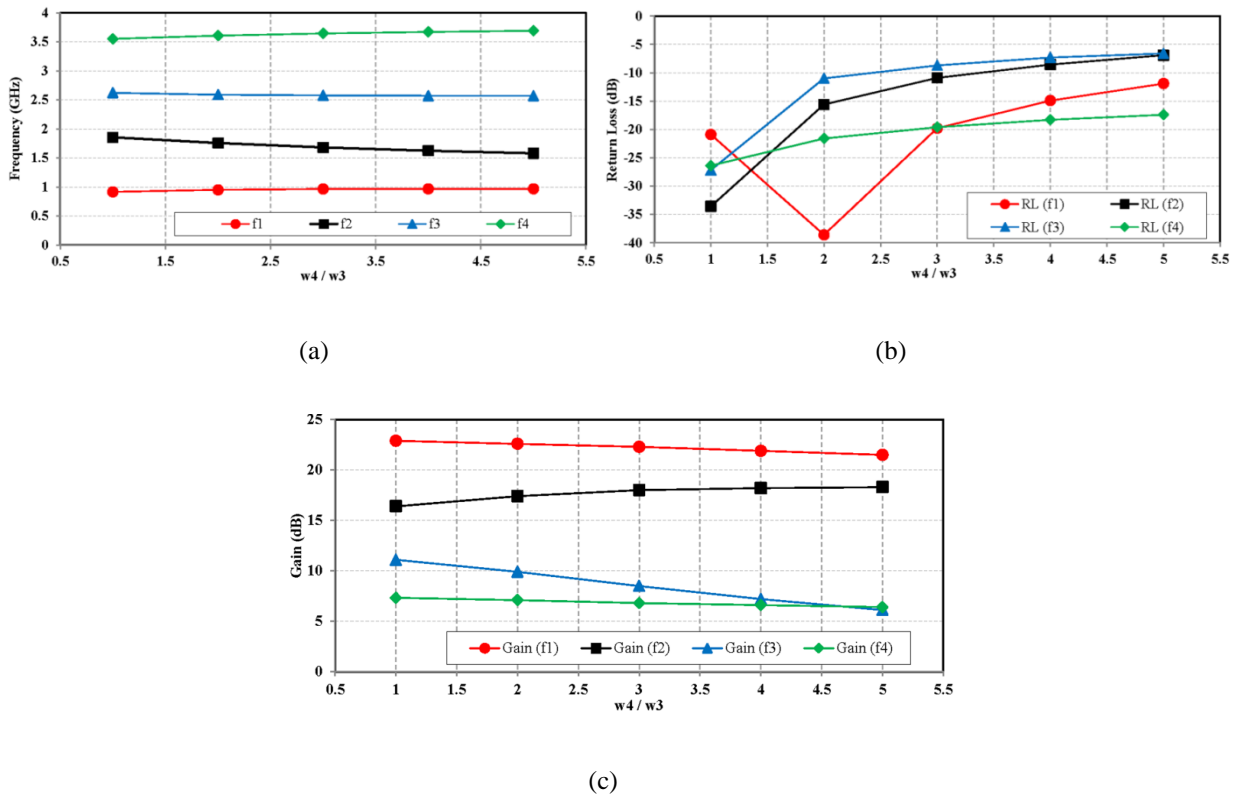


Figure 7. (a) The extracted center frequency with varied w_4/w_3 , (b) the extracted of return loss (S_{11}) with varied w_4/w_3 , (c) the extracted of gain (S_{21}) with varied w_4/w_3

The extracted center frequency with varied w_4/w_3 , a return loss (S_{11}) with varied w_4/w_3 , gain (S_{21}) with varied w_4/w_3 , are shown in Figure 7(a), 7(b), and 7(c), respectively. Figure 7(a) shows that the center frequency of f_1 , f_3 , and f_4 are still stable with varied w_4/w_3 . However, a return loss (S_{11}) of f_2 has decreased as shown in Figure 7(b). Figure 7(b) shows that the increase of w_4/w_3 would effect to the return loss (S_{11}). Figure 7(c) illustrated the extraction of gain (S_{21}) with varied w_4/w_3 . It shows that gain (S_{21}) of frequency f_1 , f_3 , and f_4 vary slightly, but a gain at frequency of f_3 falls dramatically. In general, the variation of w_4/w_3 only affects the performances of the second frequency (f_2), but it does slightly affect to performances of frequency f_1 , f_3 , and f_4 .

Figure 8(a) and 8(b) show the extracted return loss (S_{11}) and gain (S_{21}) with varied power supply (V_{CC}). It is useful for demonstrating the consistency performance of QB-LNA. The return loss (S_{11}) of frequency f_1 , f_2 , f_3 , and f_4 remains constant. However, the value of gain (S_{21}) and Noise figure (nf) shifted because a varied of power supply (V_{CC}).

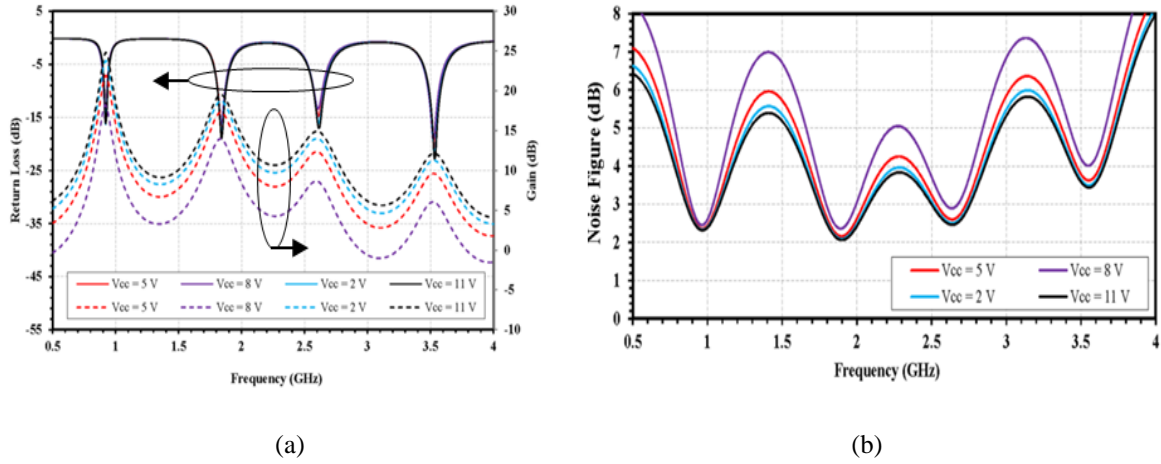


Figure 8. (a) The extracted of return loss (S_{11}) and gain (S_{21}), (b) Noise figure with varied V_{CC}

Figure 9 (a) shows the extracted return loss (S_{11}) and gain (S_{21}) with varied l_1 . The chart shows that a return loss (S_{11}) and gain (S_{21}) of f_1 has not changed. However, the center frequency of f_2 , f_3 , and f_4 are shifted by varied of l_1 . Figure 9(b) shows the extracted return loss (S_{11}) and gain (S_{21}) with varied w_2 . The results are similar, a return loss (S_{11}) of f_1 has not changed and the center frequency of f_2 , f_3 , and f_4 are shifted because variation of w_2 .

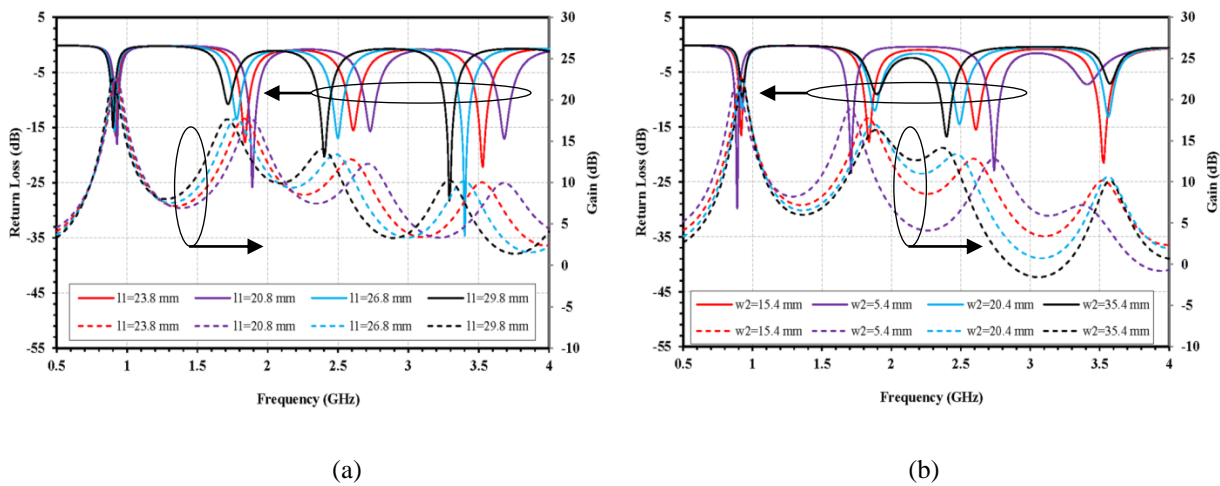


Figure 9. (a) The extracted return loss (S_{11}) and gain (S_{21}) with varied l_1 (b). The extracted return loss (S_{11}) and gain (S_{21}) with varied w_2

4. RESULTS AND ANALYSIS

The QB-LNA was designed on FR4 microstrip substrate with $\epsilon_r= 4.4$, thickness $h=1.6$ mm, and $\tan \delta= 0.026$. The proposed QB-LNA was designed and analyzed by Advanced System Design (ADS). Figure 10 shows the performance of return loss (S_{11}) and gain (S_{21}) of QB-LNA.

The simulation has shown that QB-LNA achieves gain (S_{21}) of 22.91 dB, 16.5 dB, 11.18 dB, and 7.25 dB at 0.92 GHz, 1.84 GHz, 2.61 GHz, and 3.54 GHz, respectively. The QB-LNA obtain return loss (S_{11})

of -21.28 dB, -31.87 dB, -28.08 dB, and -30.85 dB at 0.92 GHz, 1.84 GHz, 2.61 GHz, and 3.54 GHz, respectively. Figure 11 shows in the performance of Noise figure (dB) and stability factor (K) of QB-LNA. This QB-LNA achieves a Noise figure (nf) of 2.35 dB, 2.13 dB, 2.56 dB, and 3.55 dB at 0.92 GHz, 1.84 GHz, 2.61 GHz, and 3.54 GHz, respectively. Furthermore, the stability factor of all bands above 1.0 is also depicted in Figure 11.

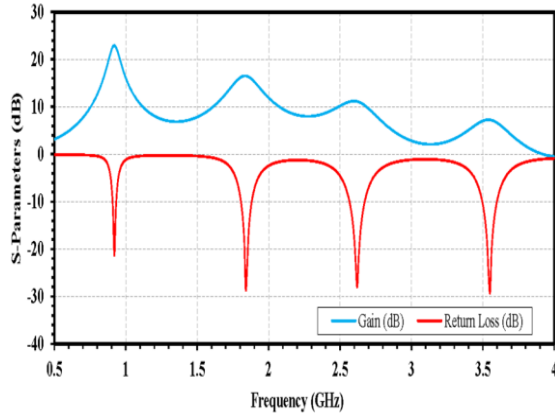


Figure 10. The performance of return loss (S_{11}) and gain (S_{21}) of QB-LNA

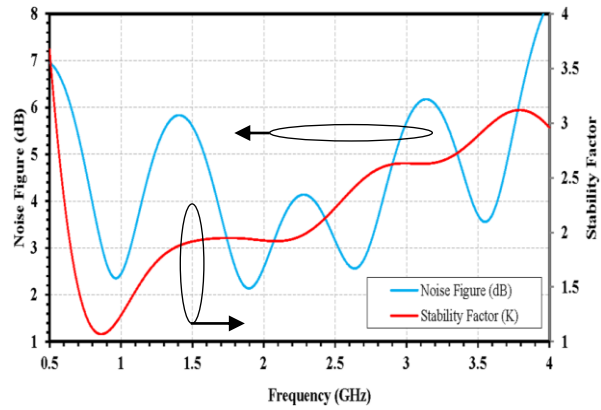


Figure 11. The performance of Noise figure (dB) and stability factor (K) of QB-LNA

This research has shown that the Figure of merit (FoM) of the proposed QB-LNA is higher than another multiband LNA, as shown in Table 1. A FoM is given by [20]

$$FoM [mW^{-1}] = \frac{Gain [abs]}{(NF-1)[abs].P_{DC}[mW]} \tag{21}$$

Table 1. The Figure of merit (FoM) of the proposed QB-LNA

Parameter	Reference				[19]		This work			
	[17]		[18]		Concurrent multiband		Concurrent multiband			
f_0 (GHz)	1.80	2.45	2.40	5.20	2.20	4.60	0.92	1.84	2.61	3.54
S_{21} (dB)	9.20	12.00	15.00	6.50	10.80	8.80	22.91	16.5	11.18	7.25
NF (dB)	5.70	6.40	2.50	2.40	3.53	2.52	2.35	2.13	2.56	3.55
P_{DC} (mW)	8.00		10		7.76		5.01			
Gain/ P_{DC} (dB/mW)	1.15	1.50	1.50	0.65	1.38	1.13	4.51	3.29	2.23	1.44
FoM (mW^{-1})	0.38	0.59	4.07	0.61	1.21	1.24	3.34	2.91	1.44	0.56

5. CONCLUSION

A multisection impedance transformer was used to produce QB-LNA. The QB-LNA has been designed with frequencies 0.92 GHz, 1.84 GHz, 2.61 GHz, and 3.54 GHz, for GSM900, WCDMA1800, LTE2600, and LTE3500 application respectively. The QB-LNA was designed on FR4 microstrip substrate with $\epsilon_r = 4.4$, thickness $h = 1.6$ mm, and $\tan \delta = 0.026$. The proposed QB-LNA was designed and analyzed by Advanced System Design (ADS). The simulation has shown that QB-LNA achieves gain (S_{21}) of 22.91 dB, 16.5 dB, 11.18 dB, and 7.25 dB at 0.92 GHz, 1.84 GHz, 2.61 GHz, and 3.54 GHz, respectively. The QB-LNA obtain return loss (S_{11}) of -21.28 dB, -31.87 dB, -28.08 dB, and -30.85 dB at 0.92 GHz, 1.84 GHz, 2.61 GHz, and 3.54 GHz, respectively. It also achieves a Noise figure (nf) of 2.35 dB, 2.13 dB, 2.56 dB, and 3.55 dB at 0.92 GHz, 1.84 GHz, 2.61 GHz, and 3.54 GHz, respectively. This research also has shown that the Figure of merit (FoM) of the proposed QB-LNA is higher than that of another multiband LNA.

ACKNOWLEDGEMENTS

The work was supported by the Ministry of Research, Technology and Higher Education, Indonesian Government as a part of Penelitian Kerjasama Perguruan Tinggi (Grant No. 267/UN43.9/PL/K/2016).

REFERENCES

- [1] S. Shreyas, et al., "A Multiband Transceiver System in 45-nm CMOS for Extended Data Rate through Notchy Wireline Channels", *IEEE Transactions on Circuits and Systems II: Express Briefs*, vol. 58, pp. 545-549, 2011.
- [2] G. David, et al., "A Fully Integrated Multiband MIMO WLAN Transceiver RFIC", *IEEE Journal of Solid State Circuit*, vol. 50, pp. 1629-1641, August 2005.
- [3] Y. Hemn, et al., "Small Multi-Band Rectangular Dielectric Resonator Antennas for Personal Communication Devices," *International Journal of Electrical and Computer Engineering (IJECE)*, vol. 4, pp. 1-6, February 2014.
- [4] C. Arnau Cabedo, et al., "Multiband Handset Antenna Combining a PIFA, Slots, and Ground Plane Modes," *IEEE Transactions on Antennas and Propagation*, vol.57, pp. 2526 -2533, September. 2009.
- [5] L. Geunyoung Lee, et al., "A Multiband Power Amplifier With a Reconfigurable Output-Matching Network for 10-MHz BW LTE Mobile Phone Applications", *IEEE Transactions on Circuits and Systems II: Express Briefs*, vol 62, pp. 558 – 562, 2015.
- [6] A. Fukuda, et al., "Novel Multiband Matching Scheme for Highly Efficient Power Amplifier", in Proc. 39th EuMC, Sept.2009, pp. 1086-1089.
- [7] Kim V, "A Resistively Degenerated Wide-Band Passive Mixer with Low Noise figure and +60dBm IIP2 in 0.18um CMOS", *IEEE RFIC Symposium*, Jun 2008, pp. 185-188.
- [8] W. Gunawan, et al., "Design of Triple-band Bandpass Filter using Cascade Tri-section Stepped Impedance Resonators", *Journal of ICT Research and Applications*, vol. 10, pp. 43-56, 2016.
- [9] C. Quendo, et al., "Planar Tri-band Filter based on Dual Behavior Resonator", in European Microwave Conference, Oct 2005, vol.1, pp. 269-272.
- [10] W. Gunawan, et al., "Multiband Bandpass Filter (BPF) based on Folded Dual Crossed Open Stubs," *International Journal of Technology*, vol. 5, pp. 32-39. 2014.
- [11] F. Teguh, et al., "Multiband RF low noise Amplifier (LNA) base on Multi Section Impedance Transformer for Multi Frequency Application", *International Journal of Applied Engineering Research*, vol. 11, pp. 3478-3483, 2016.
- [12] W. Gunawan, F.Teguh, "Concurrent Multiband low noise Amplifier with Multisection Impedance Transformer", in Asia Pacific Microwave Conference Proceedings (APMC). 2012. pp. 914-916.
- [13] Kamil P, et al., "Design and Analysis High Gain PHEMT LNA for Wireless Application at 5.8 GHz", *International Journal of Electrical and Computer Engineering (IJECE)*, vol. 5, pp. 611-620, 2015.
- [14] A. Ibrahim, et al., "Low Noise Amplifier at 5.8GHz with Cascode and Cascaded Techniques Using T-Matching Network for Wireless Applications", *International Journal of Electrical and Computer Engineering (IJECE)*, vol.1, pp. 1-8. September 2011.
- [15] Lv. Juncal, et al., "Wideband low noise amplifier using a novel equalization," *Progress in Electromagnetic Research Symposium (PIERS)*, 2016, pp. Pages: 609 – 614.
- [16] S. Rahul, et al., "A 3/5 GHz reconfigurable CMOS low-noise amplifier integrated with a four-terminal phase-change RF switch," *IEEE International Electron Devices Meeting (IEDM)*, 2015, pp. 25.3.1-25.3.4.
- [17] H.-S. Jhon, et al., "8mW 1,7/2,4 GHz dual-band CMOS low-noise amplifier for ISM-band application," *IEEE Electronics Letters*, vol. 44, pp. 1353-1354, Nov. 2008.
- [18] E. Kargaran, Madadi B, "Design of a Novel dual-band Concurrent CMOS LNA with Current Reuse Topology", Int. Conf. on Networking and Information Technology, Jun. 2010, pp. 386-388.
- [19] C.-L. Hsiao, Y.-L. Huang, "A low Supply Voltage Dualband low noise Amplifier Design", 13th IEEE Int. Symp. on Consumer Electronics, May 2009, pp. 339-341.
- [20] H. Okazaki, et al., "Reconfigurable Amplifier Towards Enhanced Selectivity of future multi-band Mobile Terminals", International Microwave Workshop Series on RF Front-ends for Software Defined and Cognitive Radio Solutions, 2010, pp. 1-4,

BIOGRAPHIES OF AUTHORS



Teguh Firmansyah was born in Subang, Indonesia. He received B.Eng (S.T) degree in electrical engineering and M.Eng (M.T) degree in telecommunication engineering from Department of Electrical Engineering Universitas Indonesia in 2010 and 2012, respectively. In 2012, he joined the Department of Electrical Engineering Universitas Sultan Ageng Tirtayasa as a researcher and lecturer. He has authored or coauthored over 20 papers published in refereed journals and conferences. He holds two patents for wideband antenna and multiband antenna. His research interests include microstrip antenna and microwave circuit for various applications.

Email : teguhfirmansyah@untirta.ac.id



Anggoro Suryo Pramudyo was born in 1984. He received BCS (S.Kom.) from Universitas Bina Darma in 2006 and MCS (M.Kom) from Universitas Gadjah Mada in 2006. He is interested in Artificial Intelligence included Computational Intelligence. Since 2010, he had become a lecturer and researcher at Departemen of Electrical Engineering Universitas Sultan Ageng Tirtayasa. Currently his researches are about intelligent designer for antenna.

Email : pramudyo@untirta.ac.id



Siswo Wardoyo received the Bachelor Engineering (S.T.) in Electric Engineering from Diponegoro University of Indonesia, in 2002. Master of Engineering (M.Eng) degree, received from Electrical Engineering Department, Gadjah Mada University in 2008. Currently, He lecturer at Electrical Engineering Department, University of Sultan Ageng Tirtayasa. His reseach interests are My research interest are in TVET, ANN, Image Processing, Computer Vision, and Control.

Email : siswo@untirta.ac.id



Romi Wiryadinata received the Bachelor Engineering (S.T.) in electrical engineering from Islamic University of Indonesia, in 2005. Master of Engineering (M.T.) degree, was received from Electrical Engineering Dept., Gadjah Mada University in 2007. He received Doctor (Dr.) degree from Electrical Engineering Dept., Gadjah Mada University in 2015. Currently, he is a lecturer at Electrical Engineering Dept., University of Sultan Ageng Tirtayasa. His research interests are in artificial neural network, sensor technology, guidance-control and navigation, and robotic.

Email : wiryadinata@untirta.ac.id



Alimuddin is Associate Prof. Dr. specialization Control, Computer, Power Stability System and Energy Conversion, Telecommunication, SMART ICT and Lecture and Researcher at the Department of Electrical Engineering on Faculty of Engineering, Sultan Ageng Tirtayasa University (UNTIRTA), Banten, Indonesia, Master Engineering Informatics and Magister Information Management Graduate Binus University (BINUS) Jakarta, Master electrical engineering, Graduate Mercubuana University (UMB) Jakarta, Master computer science graduate STMIK Nusa Mandiri Jakarta, He received B.S.and Master Management from Indonesia Moeslem University and Master Engineering for Electrical Engineering from Hasanuddin University., Indonesia in 1999, 2002 and 2003 respectively. He graduated a Doctor (PhD) Degree at the Bio-Informatics and Control, Instrumentation Engineering, Conversion Energy Bogor Agricultural University,Indonesia and Research Collaboration University of Tsukuba, Japan, 2009, Program research in Grant in sponsored by Government of Indonesia (the Ministry of Education and the State Ministry of Indonesia)., He has more than 11 years of experience in teaching at several Universities. His research interests include Control System, Telecommunication, ICT, Model and Simulation, Artificial Intelligent and its application. optimization and information system, Power Stability System and Energy Conversion System, Information Technology and Computer, Distribution System, Power System Control and optimization, Transportation. He has published more than ten papers in national Journal. He has also presented more than twelve research articles in national and international conferences. He is currently with few projects sponsored by government of Indonesia (the Ministry of Education and the State Ministry).

Email : alimudy@yahoo.com



Teguh Firmansyah <teguhfirmansyah@untirta.ac.id>

15299

5 pesan

Teguh Firmansyah <teguhfirmansyah@untirta.ac.id>

28 April 2017 pukul 22.13

Kepada: IJECE Journal <ijece@iaesjournal.com>, teguh firmansyah <teguh.firmansyah1@gmail.com>

Dear Editor,

The following is attached a revision for paper ID 15299.

Best regards.

Teguh Firmansyah

2 lampiran**15299-30298-1-RV (1).pdf**

1192K

**15299-30298-1-RV (1).docx**

1389K

IJECE Journal <ijece@iaesjournal.com>

28 April 2017 pukul 22.13

Kepada: teguhfirmansyah@untirta.ac.id

Dear Authors, Reviewers, Readers or Partners

Thank you for contacting us. We confirm that your email has reached us. We will reply to you as soon as possible.

For Authors: Thank you for considering *the International Journal of Electrical and Computer Engineering (IJECE)*, ISSN: 2088-8708 (**Scopus** indexed journal) as the right place for your work. You should **ONLY** submit your papers using [our online submission system](#) (**submissions by email will be ignored**). Please ensure that you have prepared your manuscripts in line with [the IJECE's Author Guidelines](#) (where there are further relevant instructions that you must read and follow to ensure your submission goes smoothly). A good research paper has a clear statement of the problem the paper is addressing, the proposed solution(s), and results achieved. It describes clearly what has been done before on the problem, and what is new. All submissions will be reviewed by three independent reviewers and refereed by the Editors. Submissions will be judged on the following criteria: *Relevance, Significance, Novelty, Technical correctness, Experimental/evidential support, Clarity of presentation and Reference to prior work and publications.*

How to submit your manuscript?

To make a submission, you must have a user account and **be enrolled as an Author**. User accounts can either be created by the Journal Manager or you can [register yourself](#) (this journal policy allow you create user account by your self as a Reader, an Author and/or a Reviewer). All fields with an asterisk beside them (Username; Password; Repeat Password; First Name; Last Name; Email) are mandatory. Your username and your email address must be unique; furthermore, while you can change your email address at a later date, you will be unable to change your username. If you want to register in another role within the same journal (for example, if you are already a Reader, but also want to become an Author) you can log in; go to Edit My Profile (under My Account on your User Home page); and check off the checkboxes next to any available roles, near the bottom of the page. Once you have an account, log in to the journal site and select the role of Author.

Your cooperation is very appreciated.

Best Regards,

T. Sutikno

Managing Editor, International Journal of Electrical and Computer Engineering (IJECE)

ISSN: 2088-8708 (a Scopus indexed journal)

<http://www.iaesjournal.com/online/index.php/IJECE>email: ijece@iaesjournal.com

Our event in 2017

Dear Researchers,

2017 4th International Conference on Electrical Engineering, Computer Science and Informatics (EECSI 2017) will be held on September 19-21, 2017 in Yogyakarta, Indonesia. This conference is hosted by Universitas Ahmad Dahlan and is jointly organized with Universitas Gadjah Mada, Universitas Diponegoro, Universitas Sriwijaya, Universitas Islam Sultan Agung, Universitas Muhammadiyah Malang, Universitas Budi Luhur and IAES Indonesia. The Conference is aimed to bring researchers, academicians, scientists, students, engineers and practitioners together to participate and present their latest research finding, developments and applications related to the various aspects of electrical, electronics, power electronics, instrumentation, control, robotics, computer & telecommunication engineering, signal, image & video processing, soft computing, computer science and informatics.

The EECSI 2017 has been approved by IEEE for Technical co-sponsorship with conference record number #41583 (https://www.ieee.org/conferences_events/conferences/conferencedetails/index.html?Conf_ID=41583). All accepted, registered and presented papers will be submitted to IEEE Xplore® Digital Library. All uploaded papers in IEEE Xplore will be normally included in Scopus SciVerse Database.

Paper Submission Link: <https://edas.info/index.php?c=23564>

Important Dates

Papers Submission Deadline : April 15, 2017
Final Acceptance/ Rejection Notification : June 15, 2017
Camera Ready Submission : July 30, 2017
Registration Ends : July 30, 2017

Extended versions of the selected papers

The excellent accepted papers after extension and modification will be published in SCOPUS indexed journals.
TELKOMNIKA Telecommunication Computing Electronics and Control, ISSN: 1693-6930
International Journal of Power Electronics and Drive Systems, ISSN: 2088-8694
International Journal of Electrical and Computer Engineering, ISSN: 2088-8708
Journal of Electrical Systems, ISSN 1112-5209

For further information, please get take a look at: <http://eecsi.org/2017>

Kindly forward this email to other interested parties.

Best Regards,
Assoc. Prof. Dr. Tole Sutikno
General Chair, EECSI 2017

Editor-in-Chief/Managing Editor/Principle Contact:

TELKOMNIKA Telecommunication Computing Electronics and Control, ISSN: 1693-6930 (Scopus Q3)
International Journal of Power Electronics and Drive Systems, ISSN: 2088-8694 (Scopus Q3)
International Journal of Electrical and Computer Engineering, ISSN: 2088-8708 (Scopus Q3)

IJECE Journal <ijece@iaesjournal.com>

28 Mei 2017 pukul 00.20

Kepada: Teguh Firmansyah <teguhfirmansyah@untirta.ac.id>, Anggoro Suryo Pramudyo <pramudyo@untirta.ac.id>, Siswo Wardoyo <siswo@untirta.ac.id>, Romi Wiryadinata <wiryadinata@untirta.ac.id>, Alimuddin Alimuddin <alimudy@yahoo.com>

Cc: teguh firmansyah <teguh.firmansyah1@gmail.com>

Dear Dr. Teguh Firmansyah,

It is my great pleasure to inform you that your paper is accepted and will be published on the International Journal of Electrical and Computer Engineering (IJECE), a Scopus indexed journal. Congratulations!

This journal is an OPEN ACCESS. Why publish open access? IAES open access authors benefit from: Quality, established and reputable journal, reaching key audiences' with 5 million users per month, high citations, etc. Benefits of the OPEN ACCESS policy:

- Researchers as authors: immediate visibility for research output and thus increased visibility and usage of their results. Open Access may even lead to an increase of impact.
- Researchers looking for information: access to literature everywhere, not only from a campus but also from any site

with wifi access.

- Funding agencies: increased return on investment (ROI), increased visibility.
- Universities & research institutes: greater visibility, clearer management information.
- Libraries: increased access for target audience, financially a more attractive model than the current subscription model.
- Teachers & students: unrestricted access to material, enriched education, allowing equality of learning in poor as well as in rich nations.
- Science: enhanced and accelerated research cycle.
- Citizens & society: access to knowledge / access to the results of publicly funded research.
- Enterprises: access to critical information.
- Publishers: transparent business model, ultimate online article distribution, ultimate visibility for articles.

So, Open access fee is paid by the authors, or on their behalf to support the cost of wide open access dissemination of research results, to pay deposit to CrossRef in order to each published articles has a Digital Object Identifier (DOI), to manage the various costs associated with handling and editing of the submitted manuscripts, and the Journal management and publication in general.

Each accepted paper will be charged (based on first author and first institution): USD 225

This charge is for the first 8 pages, and if any published manuscript over 8 pages will incur extra charges USD45 per page

(<http://www.iaesjournal.com/online/index.php/IJECE/about/submissions#authorFees>)

The payment should be made by bank transfer (T/T):

Bank Account name (please be exact)/Beneficiary: TOLE SUTIKNO

Bank Name: Bank Mandiri, KCP Yogyakarta UGM

City: Yogyakarta

Country : Indonesia

Bank Account # : 1370003247703

SWIFT Code: BMRIDJAXXX

as alternative, You can by using PayPal to email: info@iaesjournal.com)

Your paper will be scheduled after your payment reached us

Please submit your payment receipt and inform your detailed post address within 3 weeks to email:

IJECE@iaesjournal.com

We really appreciate your total commitment to supporting this journal.

Thank you

Best Regards,

T. Sutikno

Editor

IJECE@iaesjournal.com

<http://www.iaesjournal.com/online/index.php/IJECE>

[Kutipan teks disembunyikan]

Teguh Firmansyah <teguhfirmansyah@untirta.ac.id>
Kepada: IJECE Journal <ijece@iaesjournal.com>

14 Juni 2017 pukul 11.05

Dear Editor IJECE
Dr. Tole Sutikno

In this email is attached payment receipt for PAPER ID15299.
Thank you

Besk Regards,
Teguh Firmansyah.

[Kutipan teks disembunyikan]