

Pros Internasional SMIC

by Alimuddin Alimuddin

Submission date: 29-May-2022 04:05AM (UTC+0700)

Submission ID: 1846051818

File name: PROSIDING_SMIC.pdf (845.1K)

Word count: 1996

Character count: 11261

3

Applications of temperature sensor cultivation fish and plant aquaponic with greenhouse for local food innovation

Cite as: AIP Conference Proceedings **2331**, 060013 (2021); <https://doi.org/10.1063/5.0042469>
Published Online: 02 April 2021

Alimuddin, Ria Arafiyah, Yeyen Maryani, et al.



View Online



Export Citation

ARTICLES YOU MAY BE INTERESTED IN

Effectiveness biochar/ CuFe_2O_4 as a media filter for water quality in the aquaponic system of purami with bell pepper

AIP Conference Proceedings **2331**, 040004 (2021); <https://doi.org/10.1063/5.0045462>

Design of aquaponics water monitoring system using Arduino microcontroller

AIP Conference Proceedings **1885**, 020248 (2017); <https://doi.org/10.1063/1.5002442>

4

A simple method for calibration of temperature sensor DS18B20 waterproof in oil bath based on Arduino data acquisition system

AIP Conference Proceedings **2062**, 020006 (2019); <https://doi.org/10.1063/1.5086553>



Author Services

English Language Editing

High-quality assistance from subject specialists

LEARN MORE



Applications of Temperature Sensor Cultivation Fish and Plant Aquaponic with Greenhouse for Local Food Innovation

Alimuddin^{1, a)}, Ria Arafiyah², Yeyen Maryani³, Irma Saraswatia¹, Masjudin¹, Mustahal⁴

¹ Department Of Electrical Engineering, Faculty of Engineering, University of Sultan Ageng Tirtayasa, Jl Jenderal Sudirman Km.03 Cilegon Banten, Indonesia, 42435

² Department of Computer Science, Faculty of Mathematics and Natural Science Jakarta State University, Jl Pemuda No 10 RT 8/RW 5, Rawamangun Pulo Gadung Kota Jakarta Timur Daerah Ibukota Jakarta, Indonesia 13220

³ Department of Chemical Engineering, Faculty of Engineering University of Sultan Ageng Tirtayasa, Jl Jenderal Sudirman Km.03 Cilegon, Banten, Indonesia, 42435

⁴ Department of Fishery, Faculty of Agriculture, University of Sultan Ageng Tirtayasa, Jl Jakarta Raya Km 04 Pakupatan Serang, Banten, Indonesia, 42124

^{a)} Corresponding author: alimuddin@untirta.ac.id, alimuddinnice@gmail.com

Supported by I-CEFORY (Local Food Innovation) University of Sultan Ageng Tirtayasa, Banten, Indonesia

Abstract. Aquaponic Cultivation Technology can be done inside the house or outside the home, this cultivation also produces plants and fish that can be used by the community with urban farming on local food. Aquaponic system fish farming is a culture system that can save land use and increase the efficiency of nutrient utilization from the rest of the feed and fish metabolism. The purpose is to design water temperature sensors on aeroponics and to test temperature sensors by validating others.. The design of an early warning system application due to a landslide there are several stages, namely: first, Designing a DS18B20 sensor on acuponics. Second, Testing the DS18B20. The measurement results will be stored on the scratchpad and read by the device. This sensor can measure temperatures in the range 0 ° -50 °C. Microcontroller functions as an electronic circuit controller and stores the program in it. Microcontroller is called a single chip because the microcontroller has a memory and I / O devices. The test was carried out using a container containing chunks of ice. The test was carried out safely for 15 minutes and data was taken every minute. Testing the DS18B20 sensor with a comparison sensor found an average error of 0.0409 with a standard deviation of 0.08023. The results of the measurement of small error errors presented that the DS18B20 sensor can be used properly.

Keywords: Aquaponic, Temperature sensor, Green House, Local Food

INTRODUCTION

Aquaponic cultivation technology is one of the implementation of local food innovation. Aquaponic cultivation technology is one of the planting media used by farmers. Farmers have many ways of planting such as hydroponics, aeroponics and aquapoiics. This media is a medium that has been developed by farmers so that it is easy to use by the people who want to grow crops. This varied planting media does not require large tracts of land such as gardens or rice fields, some media can be done in the home environment so that it becomes an easy planting medium. The basic concept of aquaponics is the combination of aquaculture technology with hydroponic technology in a system [1]. Aquaponic Cultivation Technology can be done inside the house or outside the home, this cultivation also produces

plants and fish that can be used by the community. Aquaponic system fish farming is a culture system that can save land use and increase the efficiency of nutrient utilization from the rest of the feed and fish metabolism [2].

Aquaponics is a blend of growth hydroponic or aeroponic system plants and fish aquaculture systems in one system, usually in Indonesia recirculation system [3]. Aquaponics is a closed loop freshwater system, where recirculation of plants and fish grows together in symbiosis [4]. The aquaponic system combines two methods of agricultural production recirculation of aquaculture and hydroponics.[5]. Greenhouse is a closed system with plants in accordance with conditions of plant growth.[6-10]. Utilization of the LM 35 temperature sensor on this system setting is required to know the rise and fall of temperature and keep the sea water temperature for grouper cultivation according to temperature of grouper habitat (25°C-32°C) [11]. The purpose is to design water temperature sensors on aeroponics and to test temperature sensors by validating others..

RESEARCH METHOD

2.1. Stages of design a DS18B20 Sensor

The design of an early warning system application due to a landslide there are several stages, namely: first, Designing a DS18B20 sensor on aquaponics. Second, Testing the DS18B20 sensor on aquaponics seems like the block diagram below.

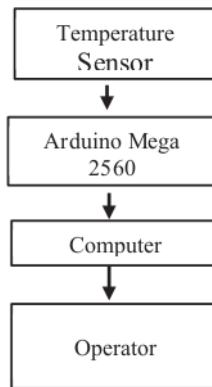


FIGURE 1. DS18B20 sensor block diagram in aquaponics

Figure 1 is a block diagram of the DS18B20 water temperature sensor workflow. Arduino microcontroller is connected to the accelerometer sensor as a tool to measure the angle of the tilt. Processing data in the form of water quality by the microcontroller according to the instructions desired by the user

2.2. Design of Temperature Sensor DS18B20

DS18B20 is a digital temperature sensor that can be connected to a microcontroller via a 1 wire interface. Temperature readings on this sensor provide 9 to 12 bits. This sensor is specially packaged so it is waterproof, suitable for use in a room or in water. DS18B20 temperature sensor images and specifications can be seen as follows:

DS18B20 is one of the temperature sensors with units of °C. has 4 main components namely 64-bit ROM, temperature sensors, temperature alarms that are not easily changed for TL and TH and configuration registers. Here is a block diagram DS18B20.

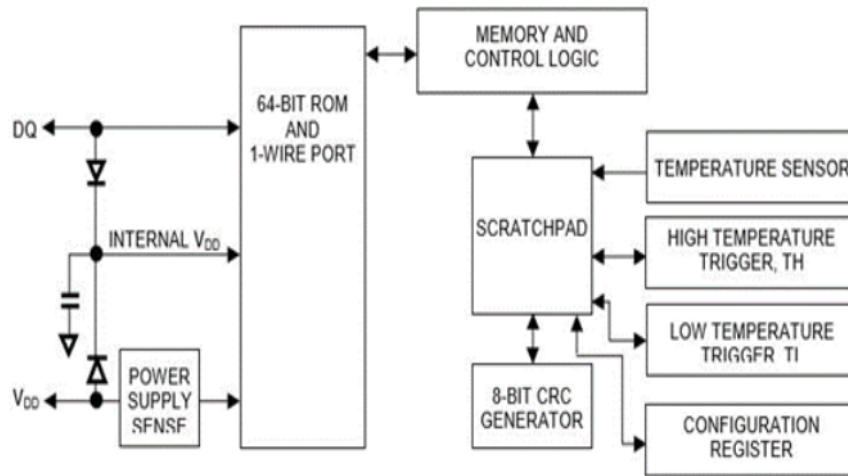


FIGURE 2. Blok diagram temperature sensor DS18B20

Figure 2 explains that the device gets voltage from a 1-wire communication line by storing the voltage on the VDD internal capacitor for a certain time. As an alternative DS18B20 can be given a voltage from an external 3V-5V power supply. The measurement results will be stored on the scratchpad and read by the device. This sensor can measure temperatures in the range 0 ° -50 °C.



FIGURE 3. Temperature Sensor DS18B20

TABLE 1. Temperature sensor specification DS18B20

Range	-55°C to + 125°C -67°F to + 257°F
Operating Voltage	3.0 – 5.5V
accuracy	±0.5°C
resolution	9 – 12bits

2.3 Microcontroller

Microcontroller is a single chip found on a computer or on a small device microcontroller that is used to perform actions on an object, process or command. Microcontroller functions as an electronic circuit controller and stores the program in it. Microcontroller is called a single chip because the microcontroller has a memory and I / O devices in it.. The microcontroller used is Arduino Mega2560 which can be seen in the picture below.



FIGURE 4. Arduino Mega2560

TABLE 2. Specification Arduino Atmega 2560

Microcontroller	Atmega 2560
Operating voltage	5v
Input Voltage	7-12v
Input Voltage	6-20v
Digital I/O Pins	54(15 bisa untuk keluaran PWM)
Analog Input Pins	16
DC current per I/O pin	20Ma
DC current for 3.3V pin	50Ma
Flash Memory	256KB, 8KB untuk bootloader
SRAM	8 KB
EEPROM	4 KB
Clock Speed	16 Mhz

RESULTS AND DISCUSSION

The DS18B20 temperature sensor testing is done by comparing the two DS18B20 temperature sensors. The test is carried out in the rooftop greenhouse of the dean building which can be seen in figure 5. The first stage of this test is to provide a container containing chunks of ice cubes. The second step is connecting the DS18B20 sensor that has been programmed to measure the temperature in the container. Testing is done by comparing fellow DS18B20 sensors. Here are the results of testing the two sensors:



FIGURE 5. Testing of DS18B20 Sensor with Comparative Sensor at Green House

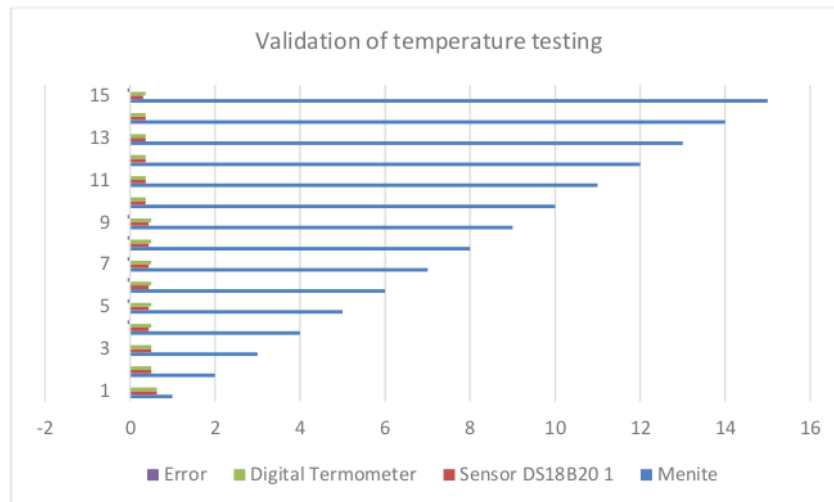


FIGURE 6. Testing of temperature sensor DS18B20

The test was carried out using a container containing chunks of ice. The test was carried out safely for 15 minutes and data was taken every minute. Testing the DS18B20 sensor with a comparison sensor found an average error of 0.0409 with a standard deviation of 0.08023. The results of the measurement of small error errors presented that the DS18B20 sensor can be used properly

CONCLUSION

The system reads the temperature conditions in realtime the system runs quickly, precisely and efficiently and The results of the DS18820 temperature sensor design were successful with validation with an average error of 0.0409 And can be used in this study Hasil rancangan sensor suhu DS18820 berhasil dengan validasi dengan error -0.028 %.

ACKNOWLEDGMENTS

Researchers thank the LPPM University of Sultan Ageng Tirtayasa of Internal Applied Research Cluster 2020 fiscal year number: B135/UN.43.9/PT.01.03/2020, Reasearch group Smart Control, Artificial Intelligence, Energy, Precision Farming and all UNTIRTA Leaders assist in conducting research including the use of Laboratory Electrical Engineering Department and Research Laboratory, Faculty of Engineering Cilegon University of Sultan Ageng Tirtayasa.

REFERENCES

1. Mulqan, M., Afdhal, S., Rahimi, E., & Dewiyanti, I. 2017. Pertumbuhan dan Kelangsungan Hidup Benih Ikan Nila Gesit (*Oreochromis niloticus*) Pada Sistem Akuaponik Dengan Jenis Tanaman Yang Berbeda The Growth and Survival rates of Tilapia Juvenile (*Oreochromis niloticus*) in Aquaponics Sistems with Different Plants Species, 2, 183–193.
2. Haris, R., Yusanti, I., & Wihardi, Y. 2014. Feminisasi Pada Ikan Mas (Cyprinus Carpio) dengan Perendaman Ekstrak Daun-Tangkai Buah Terung Cepoka (Solanum Torvum) Pada Lama Waktu Perendaman Berbeda. Jurnal Ilmu-ilmu Perikanan dan Budidaya Perairan, 9(1), 23-28.
3. T.S. Harmon, The Role of "Aquaponics" in Recirculating Aquaculture Systems, *International Journal of Recirculating Aquaculture* 6 (2005) 13-22. All Rights Reserved t 2005 by Virginia Tech and Virginia Sea Grant, Blacksburg, VA USA
4. Yayat Dhahiyat, Achmad Rizal, Zahidah, Aquaponics: A Sustainable Fishery Production System That Provides Research Projects For Undergraduate Fisheries Students., *International Journal of Agriculture and Environmental Research* ISSN: 2455-6939 Volume:04, Issue:02 "March-April 2018"
5. Sharad R. Surnar, O. P. Sharma, V.P. Saini, Aquaponics: Innovative farming, *International Journal of Fisheries and Aquatic Studies* 2015; 2(4): 261-263
6. Doaa M.AtiaHanaa T.El-madany, 2017, Analysis and design of greenhouse temperature control using adaptive neuro-fuzzy inference system, *Journal of Electrical Systems and Information Technology* Volume 4, Issue 1, May 2017, Pages 34-48
7. J. Zhou, X. Wang, X. Wang, W. Zou, and J. Cai, "Greenhouse Monitoring and Control System Based on Zigbee," *Proc. 2nd Int. Conf. Comput. Sci. Electron. Eng. (ICCSEE 2013)*, no. Iccsee, pp. 2361–2364, 2013.
8. Noremy Che Azemia, Siti Rosminah MD Derusb, Nurfarhanah Omarc, Che Zalina Zulkifli*d, Endang Noerhartatie., Tri Andjarwatif, Enni, Sustiyatikg, Ahmad Ridwanh, Kunto Eko Susilo, IOT-Based Intelligent Green Houses (IGH) using Lo-Ra Technology, *International Journal of Innovation, Creativity and Change*. www.ijicc.net Volume 9, Issue 11, 2019
9. Ragnar Ingi Danner, Utra Mankasingh, Kesara Anamthawat-Jonsson and Ragnheidur Inga Thorarinsdottir, Designing Aquaponic Production Systems towards Integration into Greenhouse Farming, *Water* 2019, 11, 2123; doi:10.3390/w11102123
10. Blaine Christian Rieger, Gabriel Demeneghi, Khazhismel Kumykov, Rashid Gogen Chatani, Redon Ilirjan Hoxha, Designing an Aquaponic Greenhouse for an Urban Food Security Initiative, Worcester Polytechnic Institute Digital WPI, 2015.
11. Anizar Indriani, Johan, Yovan Witanto and Hendra, Utilization of Microcontroller Based LM 35 Temperature Sensor ATmega 8535 in a Small Scale Sea Water Temperature Control System, *Journal of Mechanical Engineering*, Vol.5, No.2 : 183-192, 2014

Pros Internasional SMIC

ORIGINALITY REPORT

10%

SIMILARITY INDEX

7%

INTERNET SOURCES

9%

PUBLICATIONS

5%

STUDENT PAPERS

PRIMARY SOURCES

- | | | |
|---|---|----|
| 1 | repository.lppm.unila.ac.id
Internet Source | 2% |
| 2 | www.mdpi.com
Internet Source | 2% |
| 3 | Saiful Azhari Muhammad, Haryono Haryono. "Design of Pond Water Temperature Monitoring Built Using NodeMCU ESP8266", Sinkron, 2022
Publication | 2% |
| 4 | Juan Karnadi, Ibnu Roihan, Astha Ekadiyanto, R A Koestoera. "Development of a Low-cost Arduino-based Patient Monitoring System for Heartrate, Oxygen Saturation and Body Temperature Parameters", Journal of Applied Science, Engineering and Technology, 2022
Publication | 2% |
| 5 | Rusmana, E P Ningsih. "Growth and yield of soybean plants on intercropping systems with different phosphorus dosage", IOP Conference Series: Earth and Environmental Science, 2019 | 1% |

6

[easyeda.com](https://www.easyeda.com)

Internet Source

1 %

7

R. A. Koestoer, N. Pancasaputra, I. Roihan, Harinaldi. "A simple calibration methods of relative humidity sensor DHT22 for tropical climates based on Arduino data acquisition system", AIP Publishing, 2019

Publication

<1 %

Exclude quotes On

Exclude matches < 5 words

Exclude bibliography On

Pros Internacional SMIC

GRADEMARK REPORT

FINAL GRADE

/0

GENERAL COMMENTS

Instructor

PAGE 1

PAGE 2

PAGE 3

PAGE 4

PAGE 5

PAGE 6

PAGE 7
